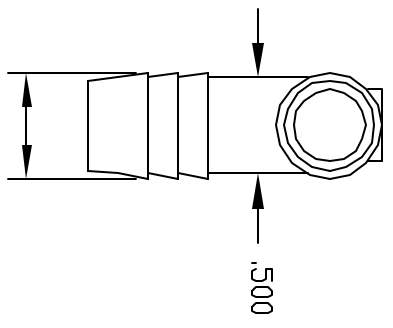
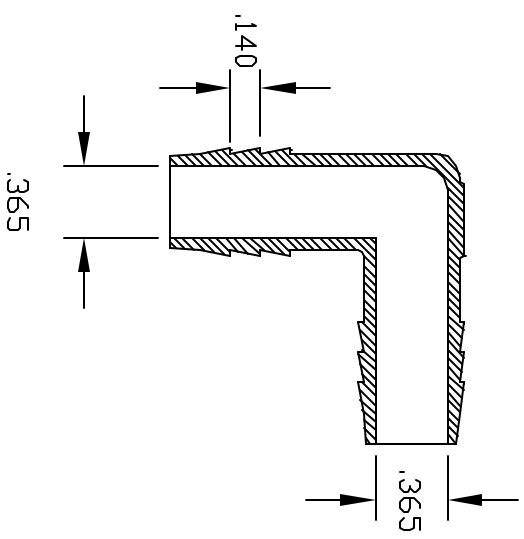
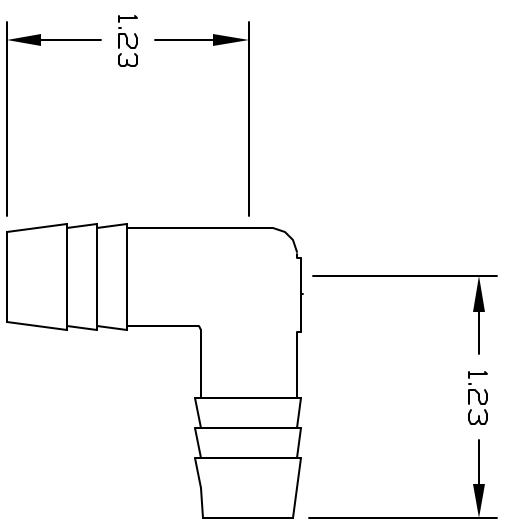


REVISIONS			
REV	DESCRIPTION	DATE	APPROVED
B	.375 GATE PAD WAS	.187 3/98	3/98
C	5° ADDED .468 WAS	.500 4/98	4/98
D	REDRAWN-UPDATED	02/01/00	BM



CONTROLLED DOCUMENT
ONLY IF IN RED

CONFIDENTIAL
THIS PRINT AND THE SPECIFICATIONS ARE THE PROPERTY OF THOGUS PRODUCTS COMPANY AND HAVE BEEN ISSUED WITH THE UNDERSTANDING THAT ALL INFORMATION CONTAINED HEREIN IS UNCLASSIFIED AND IS TO BE KEPT FOR THE MANUFACTURE FOR OTHERS AND WILL BE RETURNED UPON REQUEST.

UNLESS OTHERWISE SPECIFIED DIMENSIONS ARE IN INCHES	DESIGN TOLERANCES	FINISH	DATE
	FRACTIONAL	2088-TP	4/98
	DECIMAL	NM	
	XX +/- .05		
	XXX +/- .015		
	XXXX +/- .015		
DRAWN	DATE		
2088-TP			
WATER			
POLYETHYLENE			

PART NAME:		1/2 BARB X 1/2 BARB ELBOW	
DRAWN		DATE	
2088-TP		4/98	
WATER			
POLYETHYLENE			
Part Number		REV	
TE2088-T/P		D	
33490 PIN DAK PARKWAY			
AYDN LAKE OHIO 44012			
SHEET 1		OF 1	