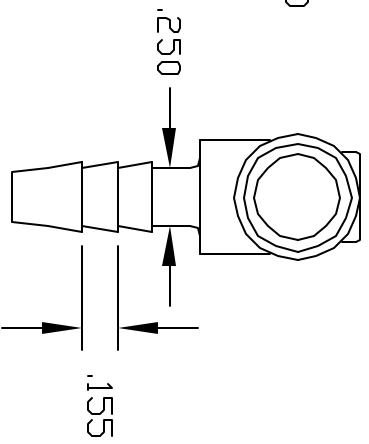
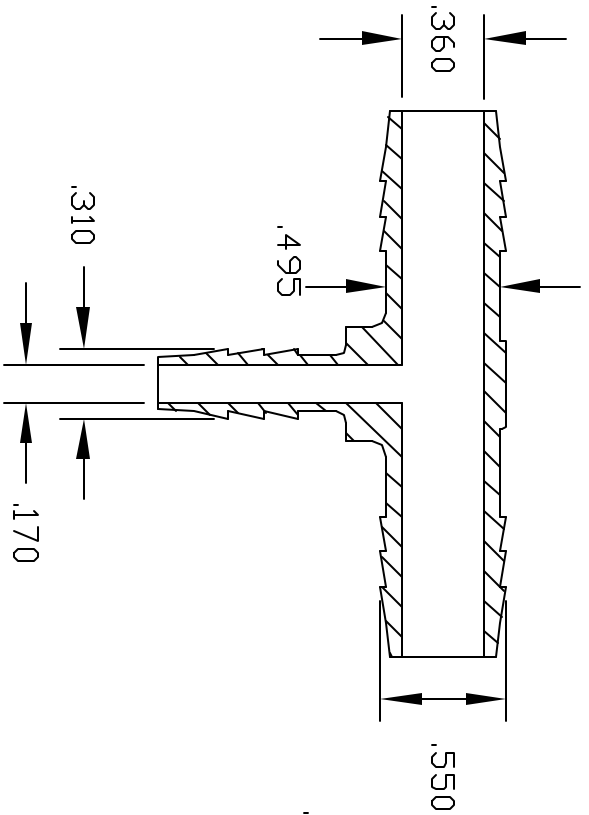
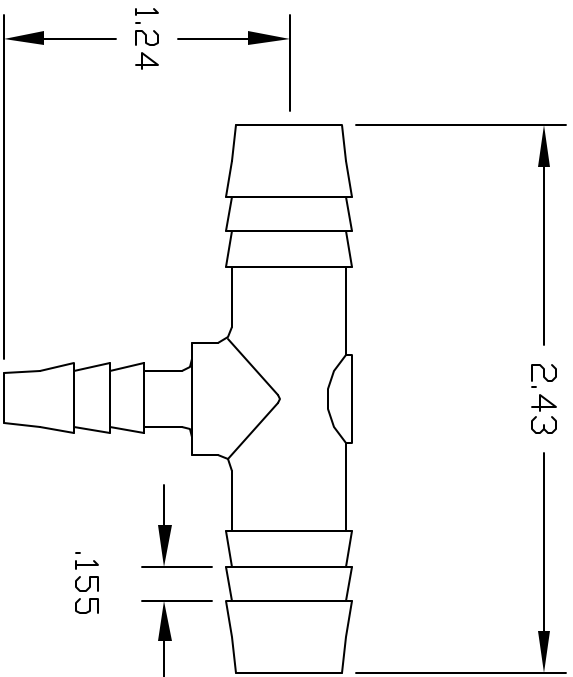


REV	DESCRIPTION	DATE	APPROVED
A	REDRAWN & RELEASED	3/98	3/98
B	LEAD BARB ADDED	9/99	9/99
C	REDRAWN & DIM.	12/28/99	12/99
D	MODIFY DROP BARB	3/07	3/07
E	UPDATE DWG	9/07	9/07



UNLESS OTHERWISE SPECIFIED DIMENSIONS ARE IN INCHES TOLERANCES		PART NAME	
DECIMALS	ANGULAR	1/4 BARB X 1/2 BARB X 1/2 BARB TEE	
XX +/- .05	+/- .05	THOGUS PRODUCTS 33490 PIN OAK PARKWAY AVON LAKE OHIO 44012	
XXX +/- .015		PART NUMBER	
DRAWN		TT9488/P	
DATE		REV	
12/99		E	
MATERIAL		SHEET 1 OF 1	
POLYETHYLENE			

CONTROLLED DOCUMENT
ONLY IF IN RED

CONFIDENTIAL
THIS PRINT AND THE SPECIFICATIONS ARE THE PROPERTY OF THOGUS PRODUCTS COMPANY AND HAVE BEEN ISSUED WITH THE UNDERSTANDING THAT IT WILL NOT BE REPRODUCED, REVEALED TO OR USED FOR THE MANUFACTURE FOR OTHERS AND WILL BE RETURNED UPON REQUEST.