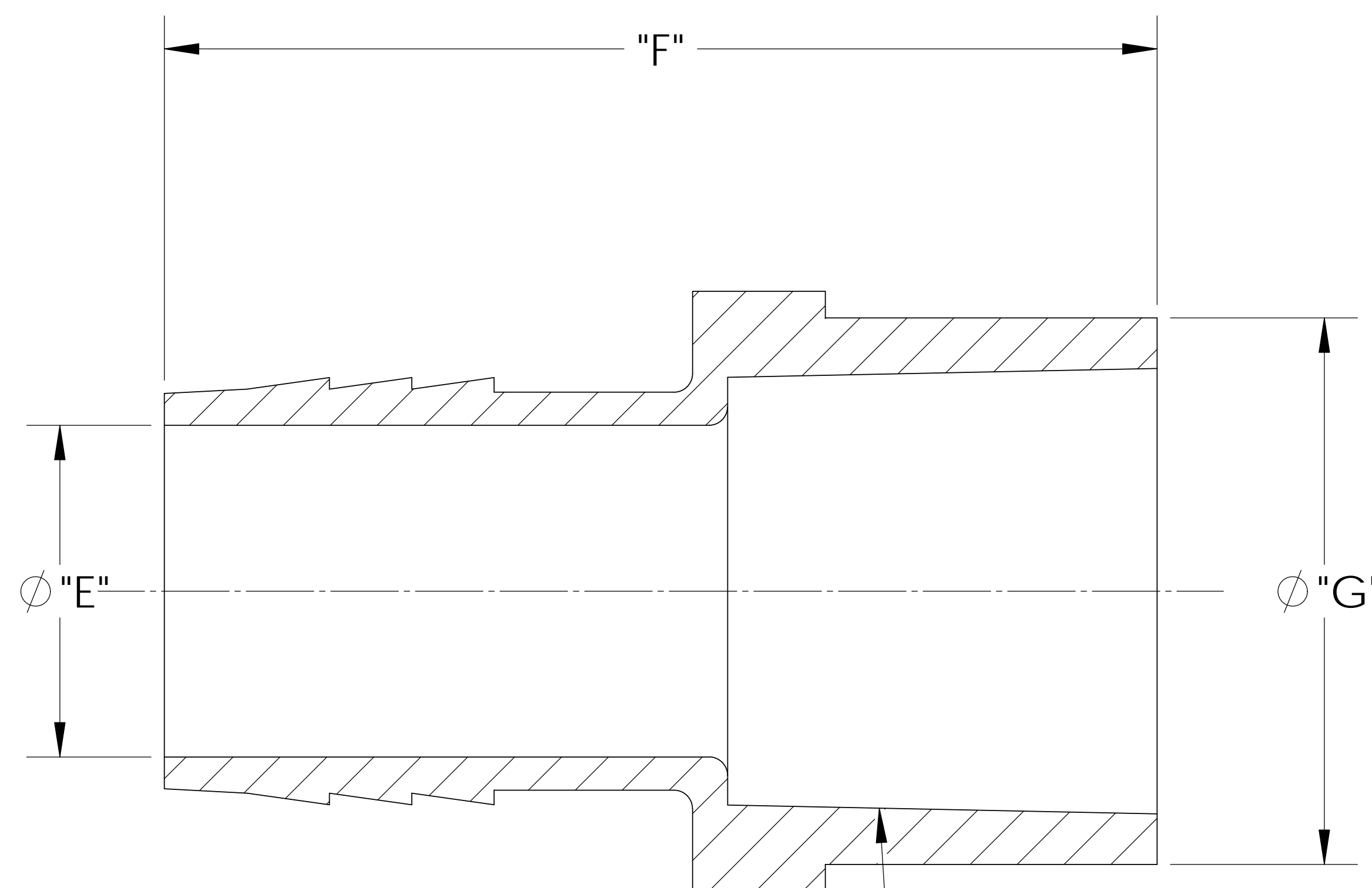
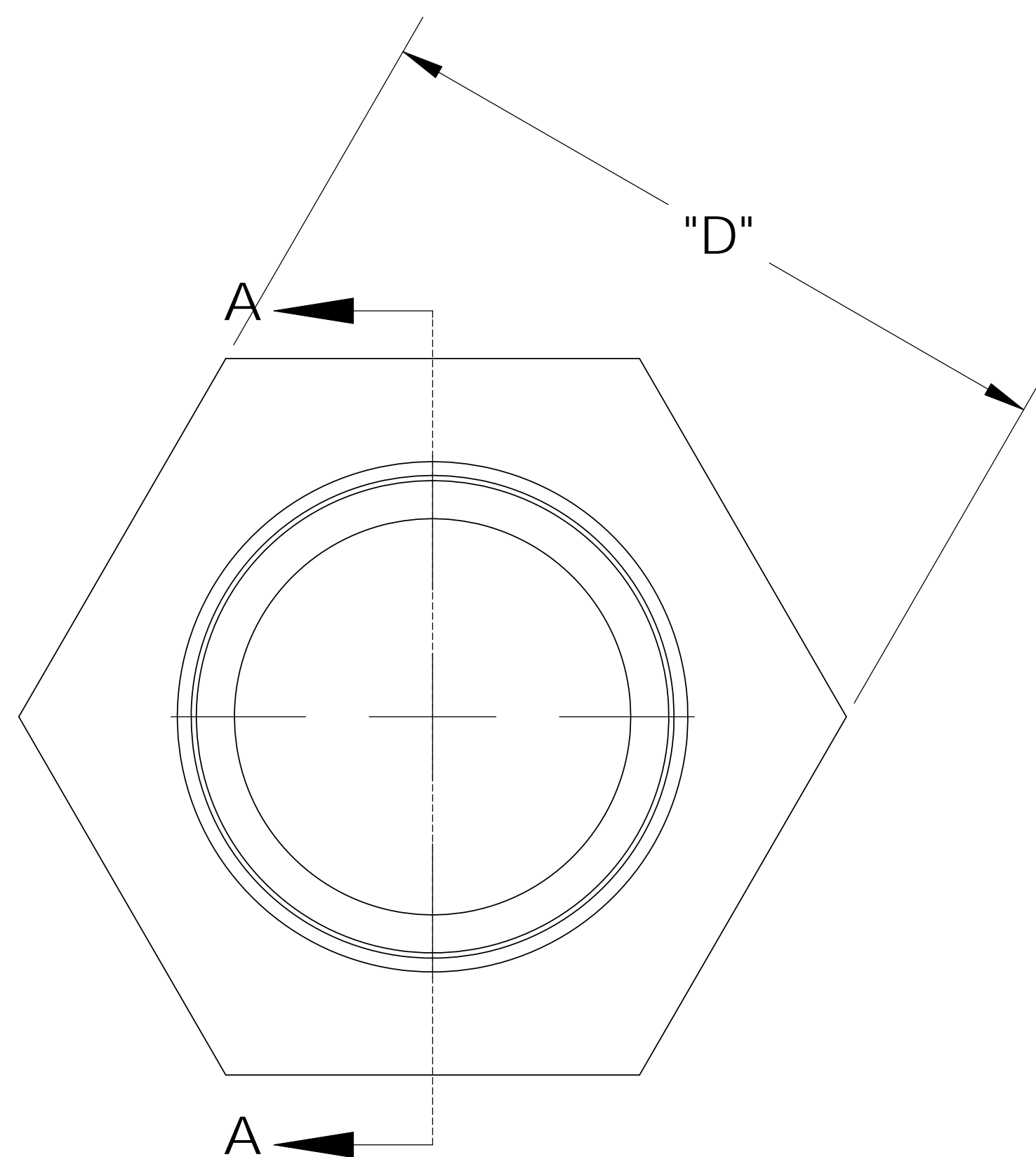
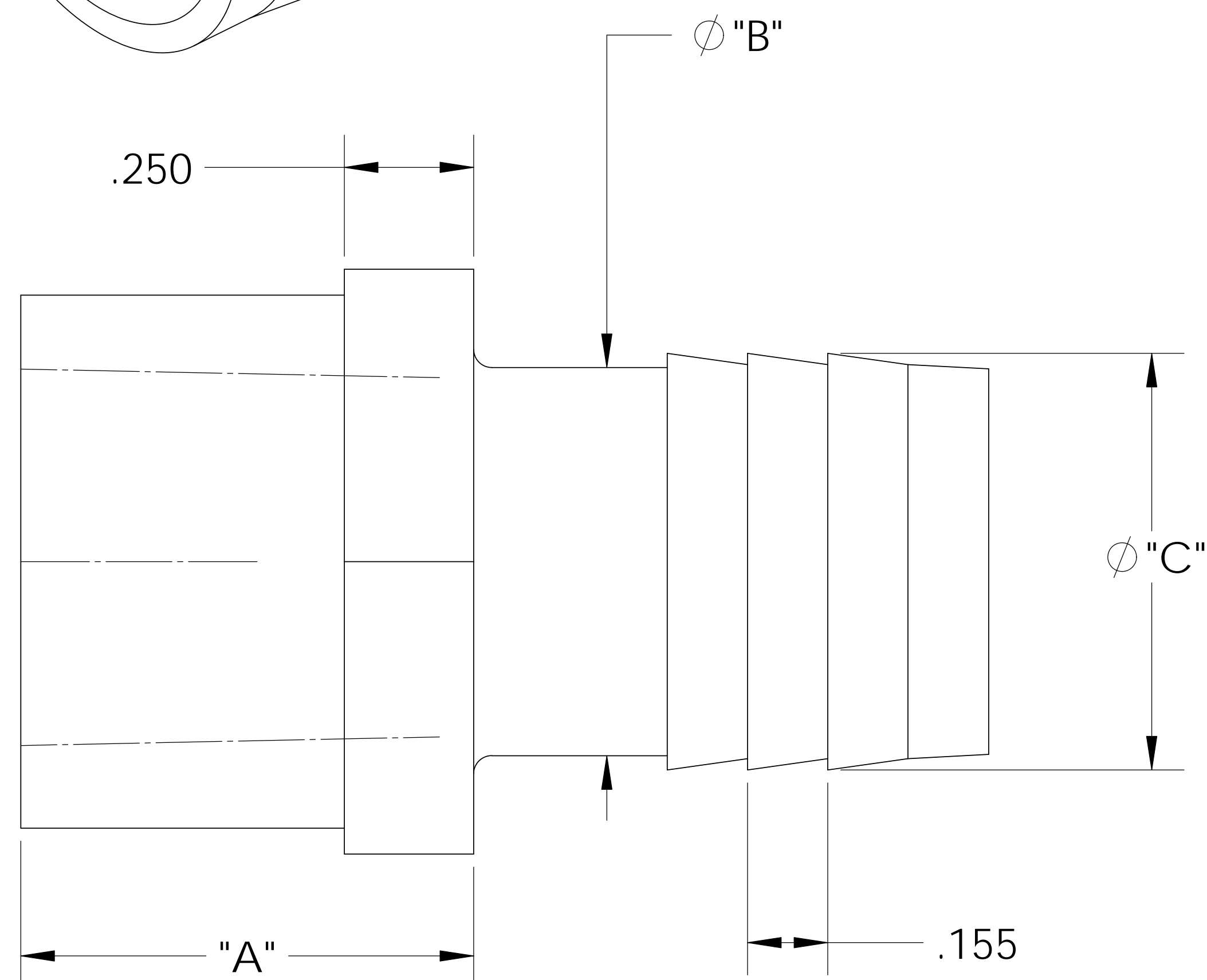
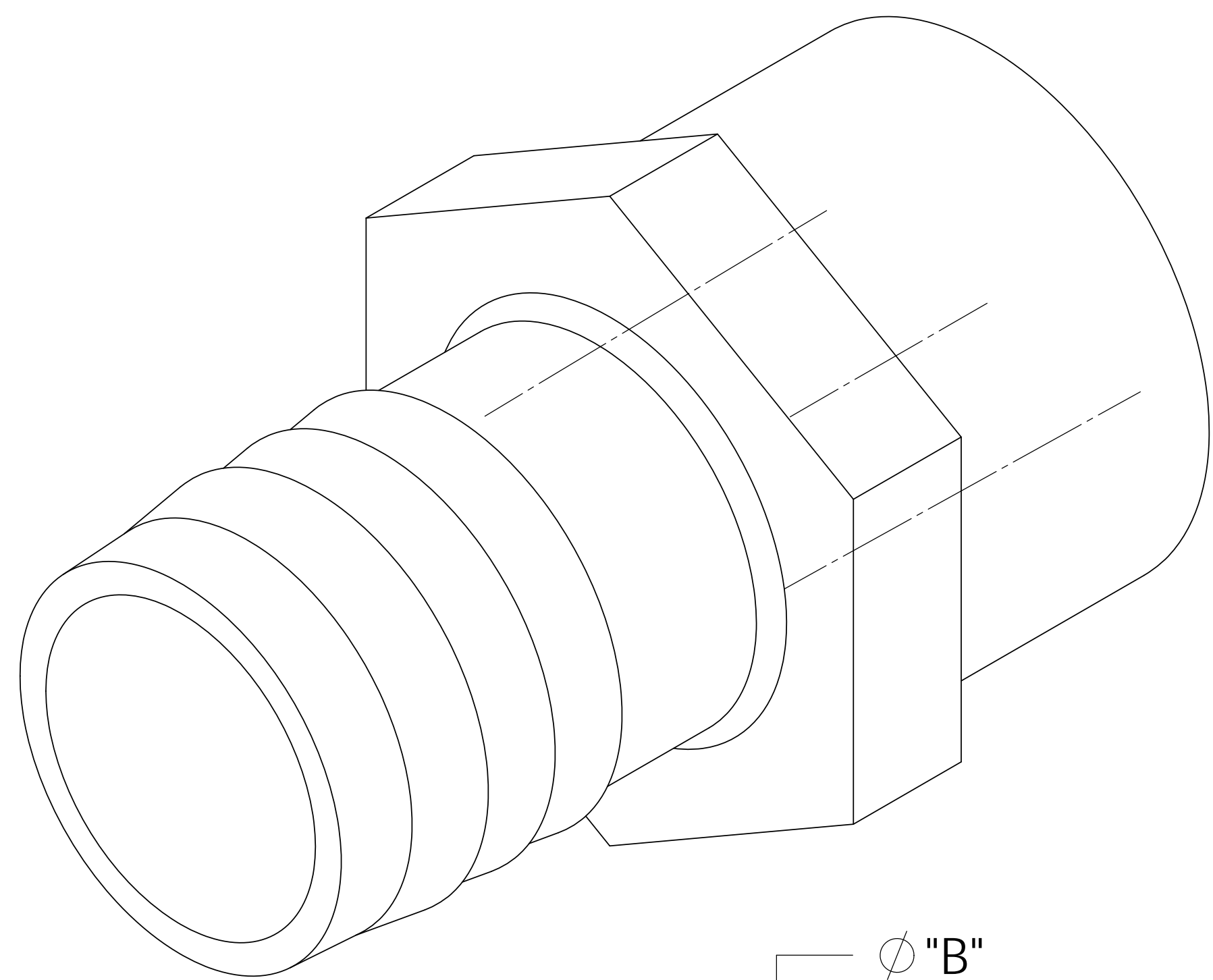


UNCONTROLLED IF PRINTED; CONTROLLED DOCUMENT LOCATED IN IQMS DOCUMENT CONTROL



SECTION A-A

FEMALE 1/2"-14 NPT

CATALOG NO.	DESCRIPTION	MATERIAL	DIM "A"	DIM "B"	DIM "C"	DIM "D"	DIM "E"	DIM "F"	DIM "G"
TAF10812/PP	1/2" NPT X 3/4" PP	POLYPROPYLENE	.865	.735	.795	1.12	.615	1.84	1.015
TAF10812/N	1/2" NPT X 3/4" N	NYLON	.875	.750	.805	1.13	.625	1.87	1.030

SHOWN

NOTES:

- 1) POLYPROPYLENE HAS COLOR OPTIONS:
BLACK = TAF10812/PPB
NATURAL = TAF10812/PPN

PROPRIETARY AND CONFIDENTIAL
THE INFORMATION CONTAINED IN THIS DRAWING IS THE SOLE PROPERTY OF THOGUS PRODUCTS COMPANY. ANY REPRODUCTION IN PART OR AS A WHOLE WITHOUT THE WRITTEN PERMISSION OF THOGUS PRODUCTS COMPANY IS PROHIBITED.

REV	WRO#	DESCRIPTION
C	95.00144	CONVERTED TO 3D FORMAT
HISTORY		

UNLESS OTHERWISE SPECIFIED:
DIMENSIONS ARE IN INCHES
TOLERANCES:
ANGULAR: $\pm 0.5^\circ$
X.X = ± 0.1
X.XX = ± 0.05
X.XXX = ± 0.015
REMOVE ALL SHARP EDGES AND BURRS
BLEND ALL RADII TO 0.01IN
INTERPRET GEOMETRIC TOLERANCING PER: ANSI Y 14.5 1994
MATERIAL: PP, N
FINISH: NA
THIRD ANGLE PROJECTION:

	NAME	DATE
DRAWN	JRM	05/24/11
CHECKED	KDJ	5/24/11
ENG APPR.		XX/XX/XX
MFG APPR.		XX/XX/XX
Q.A.		XX/XX/XX

Thogus You think it, we can make it...
33490 PIN OAK, AVON LAKE, OH 44012

TITLE: 1/2" NPT FEMALE X 3/4" BARB ADAPTER

SIZE B	DWG. NO. TAF10812	REV C
SCALE: 2:1	MASS:	SHEET 1 OF 1

DO NOT SCALE DRAWING