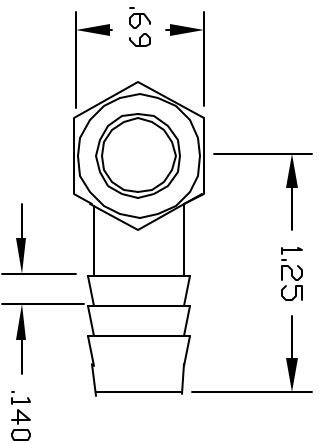
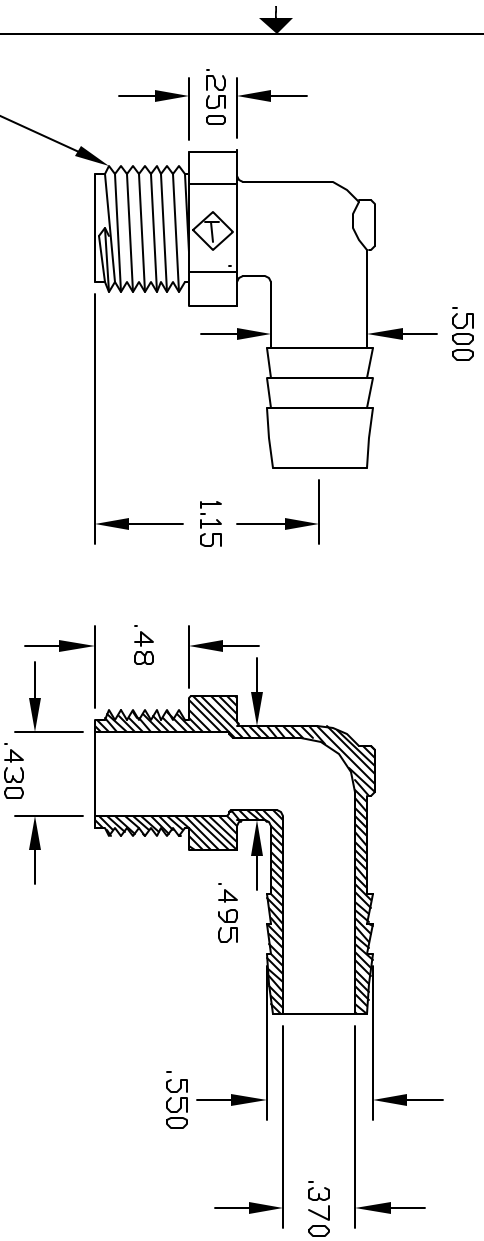


RENSKINS

REV	DESCRIPTION	DATE	APPROVED
A	REDRAWN & RELEASED	5/98	5/98
B	.545 to .550 ADD LEAD BARB	7/99	7/99
C	.500 TO .490 1.10 TO 1.26	02/24/00	BM



COLOR: BLACK (PPB)  
NATURAL (PPN)

CONTROLLED DOCUMENT  
ONLY IF IN RED

THIS PRINT AND THE SPECIFICATIONS ARE THE PROPERTY OF THOGUS PRODUCTS COMPANY AND HAVE BEEN ISSUED WITH THE UNDERSTANDING THAT THE USER WILL BE RESPONSIBLE FOR OBTAINING THE NECESSARY RIGHTS FROM THE MANUFACTURER FOR OTHERS AND WILL BE RETURNED UPON REQUEST.

UNLESS OTHERWISE SPECIFIED DIMENSIONS ARE IN INCHES		TOLERANCES UNLESS INDICATED	
XX	+/- .05	XX	+/- .05
XXX	+/- .015	XXX	+/- .015
DRAWN	BM	DATE	8/98
DESIGNED	ROSBPP	MATERIAL	POLYPROPYLENE
PART NAME: 3/8NPT X 1/2 BARB ELBDW		REV: C	
THOGUS PRODUCTS 33490 PIN DAK PARKWAY AVON LAKE OHIO 44012		SHEET 1 of 1	