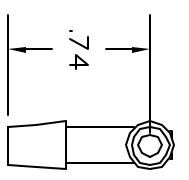
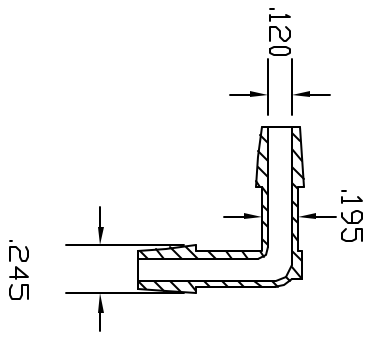
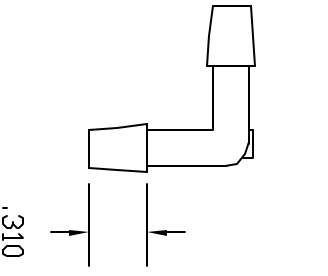


REV	DESCRIPTION	DATE	APPROVED
A	DRAWN	12/02	12/02



COLOR: BLACK (PPB)
 NATURAL (PPN)

CONTROLLED DOCUMENT
 ONLY IF IN RED

CONFIDENTIAL

THIS PRINT AND THE SPECIFICATIONS ARE THE PROPERTY OF THOGUS PRODUCTS COMPANY AND HAVE BEEN ISSUED WITH THE UNDERSTANDING THAT IT WILL NOT BE REPRODUCED, REVEALED TO OR USED FOR THE MANUFACTURE FOR OTHERS AND WILL BE RETURNED UPON REQUEST.

UNLESS OTHERWISE SPECIFIED
 DIMENSIONS ARE IN INCHES
 DECIMALS TOLERANCES
 .XX +/--.05 ANGULAR
 .XXX +/--.015

DRAWN: BM
 DATE: 01/00
 MATERIAL: POLYPROPYLENE
 filename: 2033-TPP

PART NAME:
 3/16 BARB X 3/16 BARB ELBOW

THOGUS PRODUCTS
 33490 PIN OAK PARKWAY
 AVON LAKE OHIO 44012

PART NUMBER: TE2033-T/PP
 SCALE: 1:1
 SHEET 1 OF 1
 REV: A