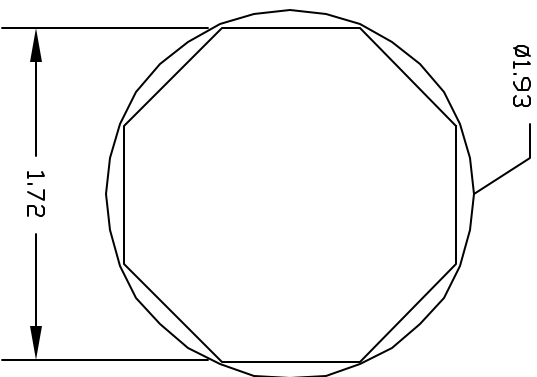
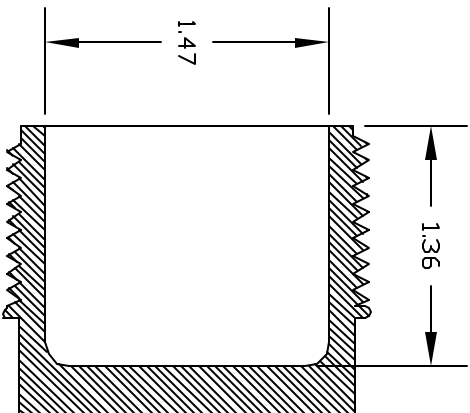
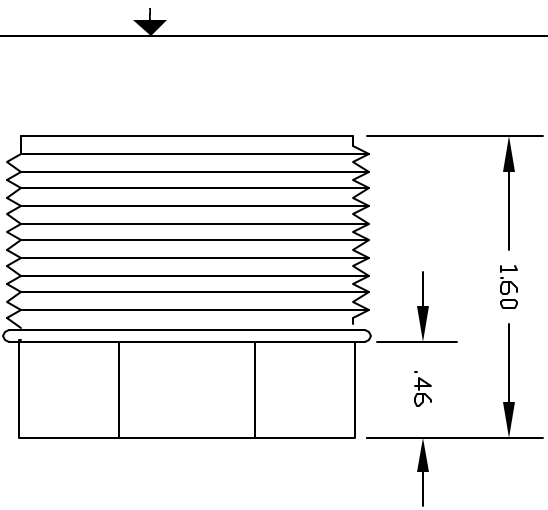


REVISIONS			
REV	DESCRIPTION	DATE	APPROVED
A	REDRAWN & RELEASED	1/98	1/98
B	UPDATE DWG	9/07	9/07



COLOR: BLACK (PPB)
NATURAL (PPN)

CONTROLLED DOCUMENT
ONLY IF IN RED

CONFIDENTIAL
THIS PRINT AND THE SPECIFICATIONS ARE THE PROPERTY OF THOGUS PRODUCTS COMPANY AND HAVE BEEN ISSUED WITH THE UNDERSTANDING THAT REVIEW AND REUSE FOR THE MANUFACTURE FOR OTHERS AND WILL BE RETURNED UPON REQUEST.

UNLESS OTHERWISE SPECIFIED DIMENSIONS ARE IN INCHES		TOLERANCES	
XX	+/- .05	XX	+/- .05
XXX	+/- .015		
DRAWN	NM	DATE	1/98
DESIGNED			
PART NUMBER	TP4024/PP		
MATERIAL	POLYPROPYLENE		
Part Name	1-1/2" NPT PLUG	Part Number	TP4024/PP
THOGUS PRODUCTS	33490 PIN DAK PARKWAY AYDON LAKE OHIO 44012	REV	B
		SHEET	1 of 1