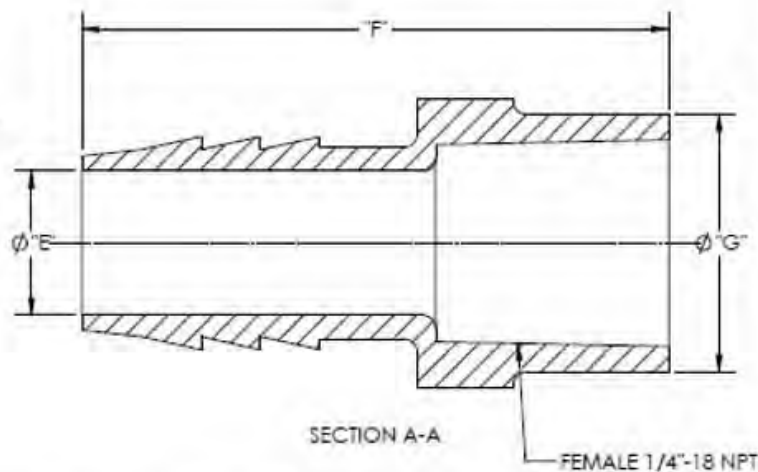
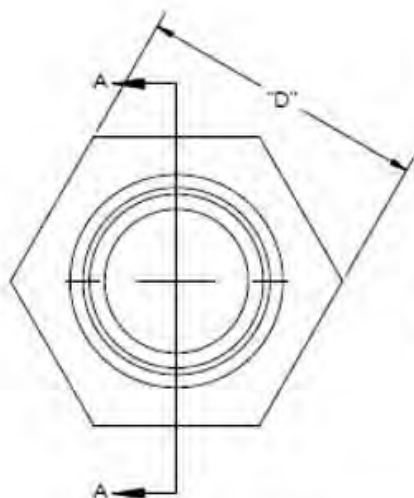
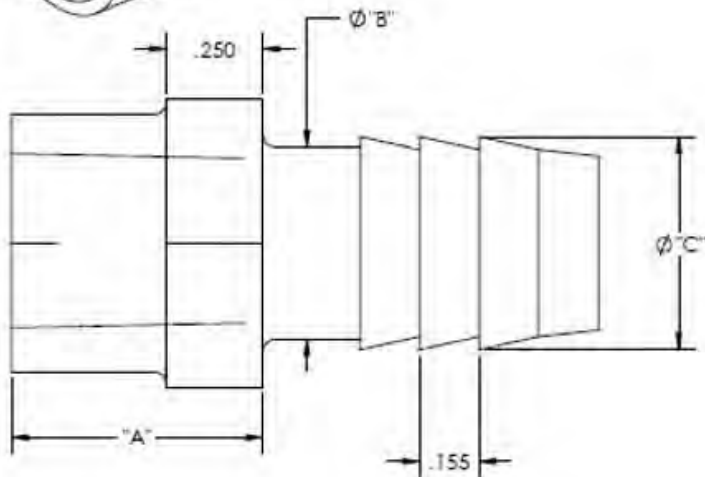
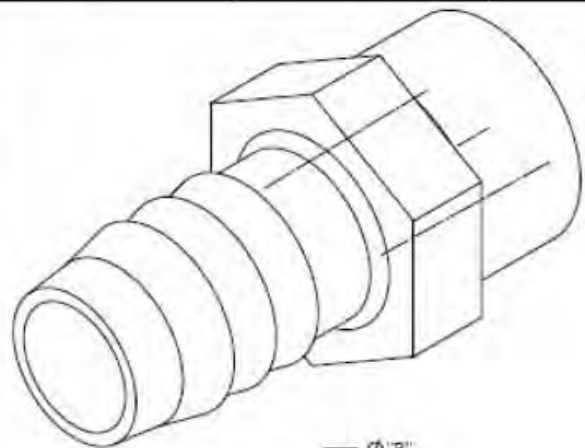


UNCONTROLLED IF PRINTED; CONTROLLED DOCUMENT LOCATED IN QMS DOCUMENT CONTROL.



CATALOG NO.	DESCRIPTION	MATERIAL	DIM "A"	DIM "B"	DIM "C"	DIM "D"	DIM "E"	DIM "F"	DIM "G"
TAF1048/PP	1/4" NPT x 1/2" PP	POLYPROPYLENE	.650	.490	.550	.74	.370	1.51	.660
TAF1048/N	1/4" NPT x 1/2" N	NYLON	.655	.500	.555	.75	.375	1.53	.670

SHOWN

NOTES:

- 1) POLYPROPYLENE HAS COLOR OPTIONS:  
BLACK = TAF1048/PPB  
NATURAL = TAF1048/PPN

PROPRIETARY AND CONFIDENTIAL  
THE INFORMATION CONTAINED IN THIS DRAWING IS THE SOLE PROPERTY OF THOGUS PRODUCTS COMPANY. ANY REPRODUCTION IN PART OR AS A WHOLE WITHOUT THE WRITTEN PERMISSION OF THOGUS PRODUCTS COMPANY IS PROHIBITED.

IC	95.00144	CONVERTED TO 3D FORMAT	UNLESS OTHERWISE SPECIFIED: DIMENSIONS ARE IN INCHES TOLERANCES: ANGULAR ±.01° H & D ±.01 L & S ±.005 R & D ±.005 REMOVE ALL SHARP EDGES AND BURRS FINISH ALL ENDS TO D65H FINISH BY MACHINING CONTAINING PER ANSI Y14.5-1995	DRAWN	JRM	ISSUED	05/20/11
REV	WRO#	DESCRIPTION	MATERIAL: PP 11	CHECKED	KDU	DATE	09/07/11
			FINISH: NA	ENG APPR:		DATE	03/09/10
			THIRD ANGLE PROJECTION	MFG APPR:		DATE	03/09/10
				CLA		DATE	03/09/10
				COMMENTS:			

**Thogus**  
30490 PIN OAK, AVON LAKE, OH 44012

TITLE:  
**1/4" NPT FEMALE X 1/2" BARB ADAPTER**

SIZE	DWG. NO.	REV
<b>B</b>	<b>TAF1048</b>	<b>D</b>

SCALE: 3:1 MASS: SHEET 1 OF 1

DO NOT SCALE DRAWING