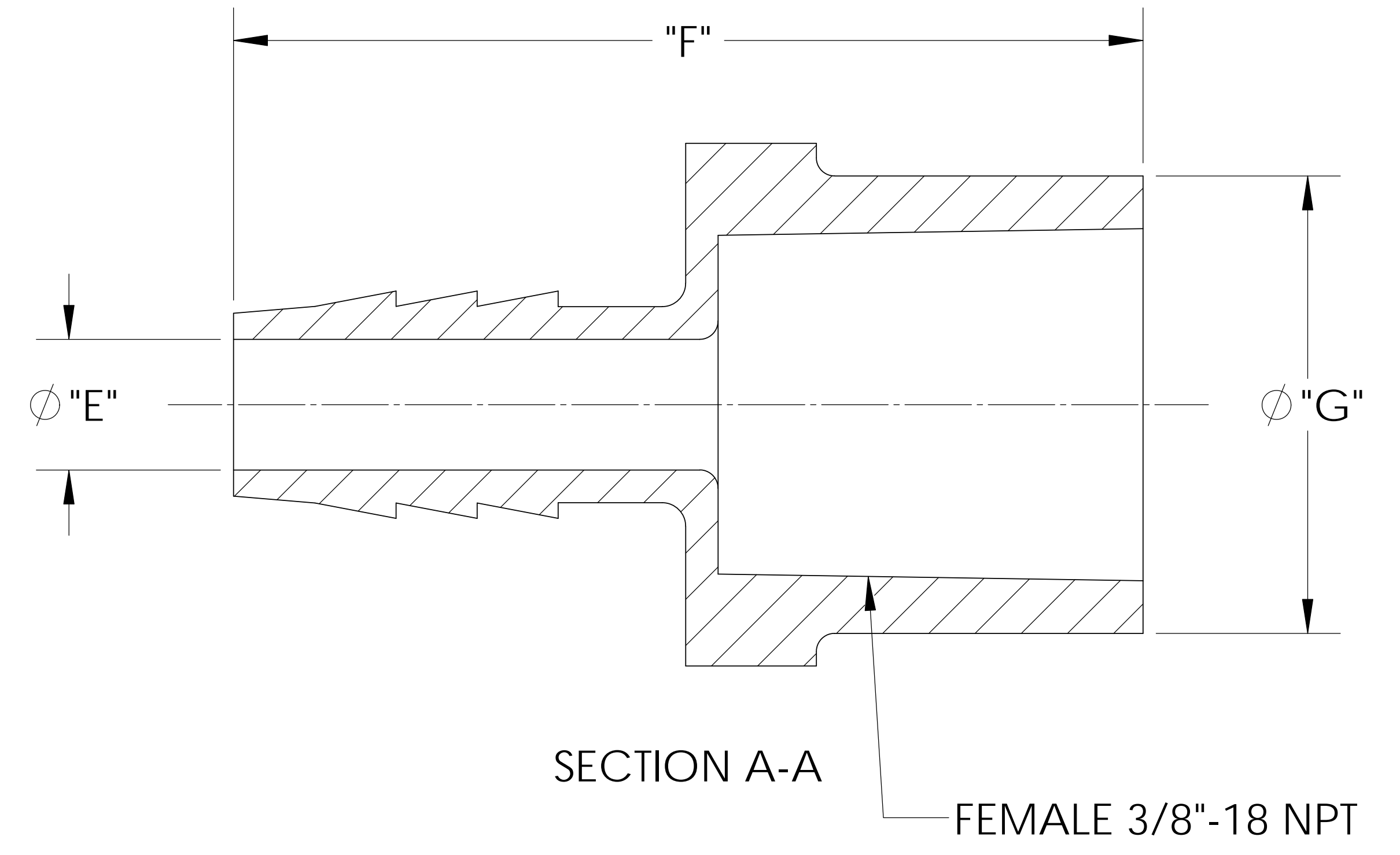
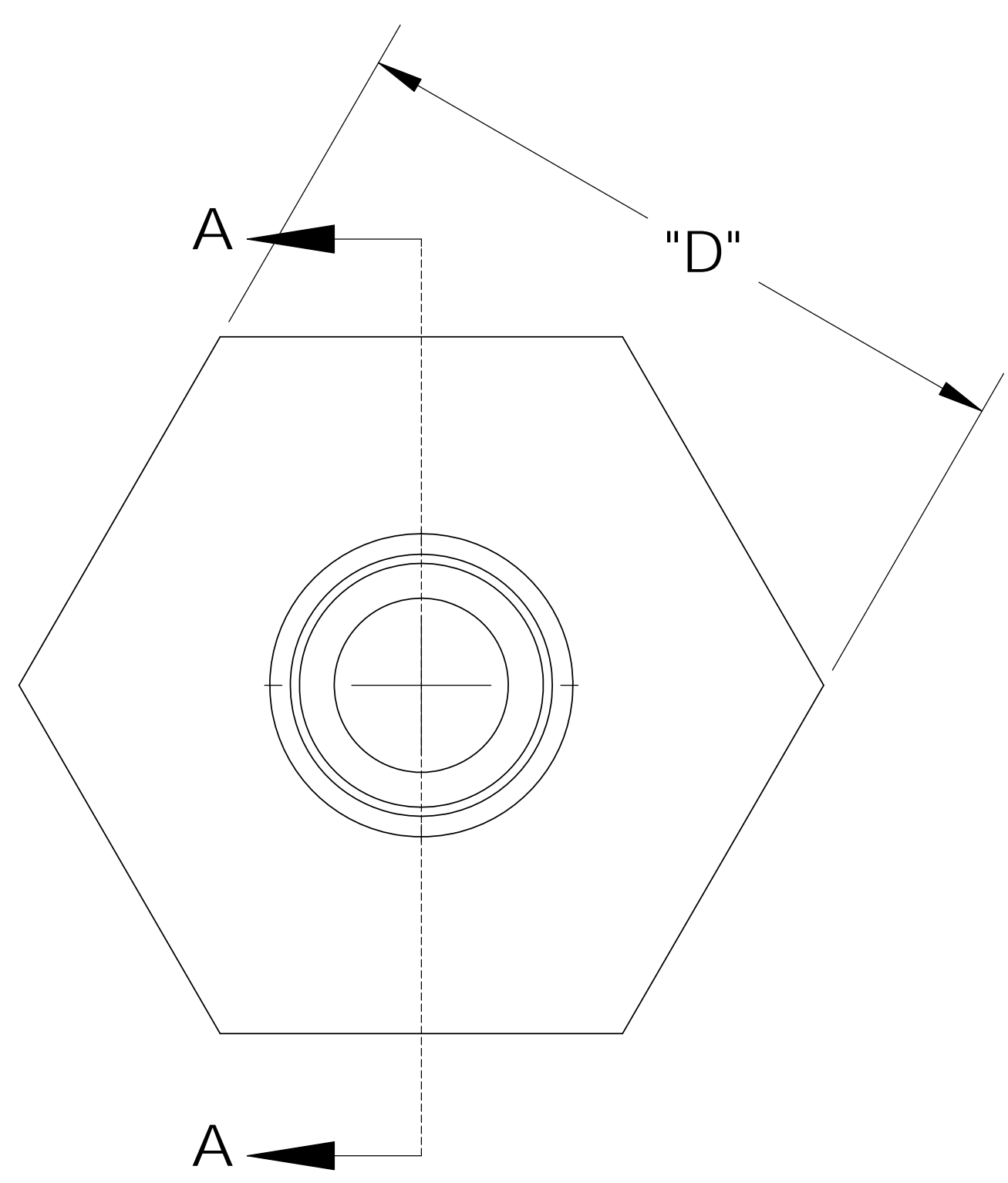
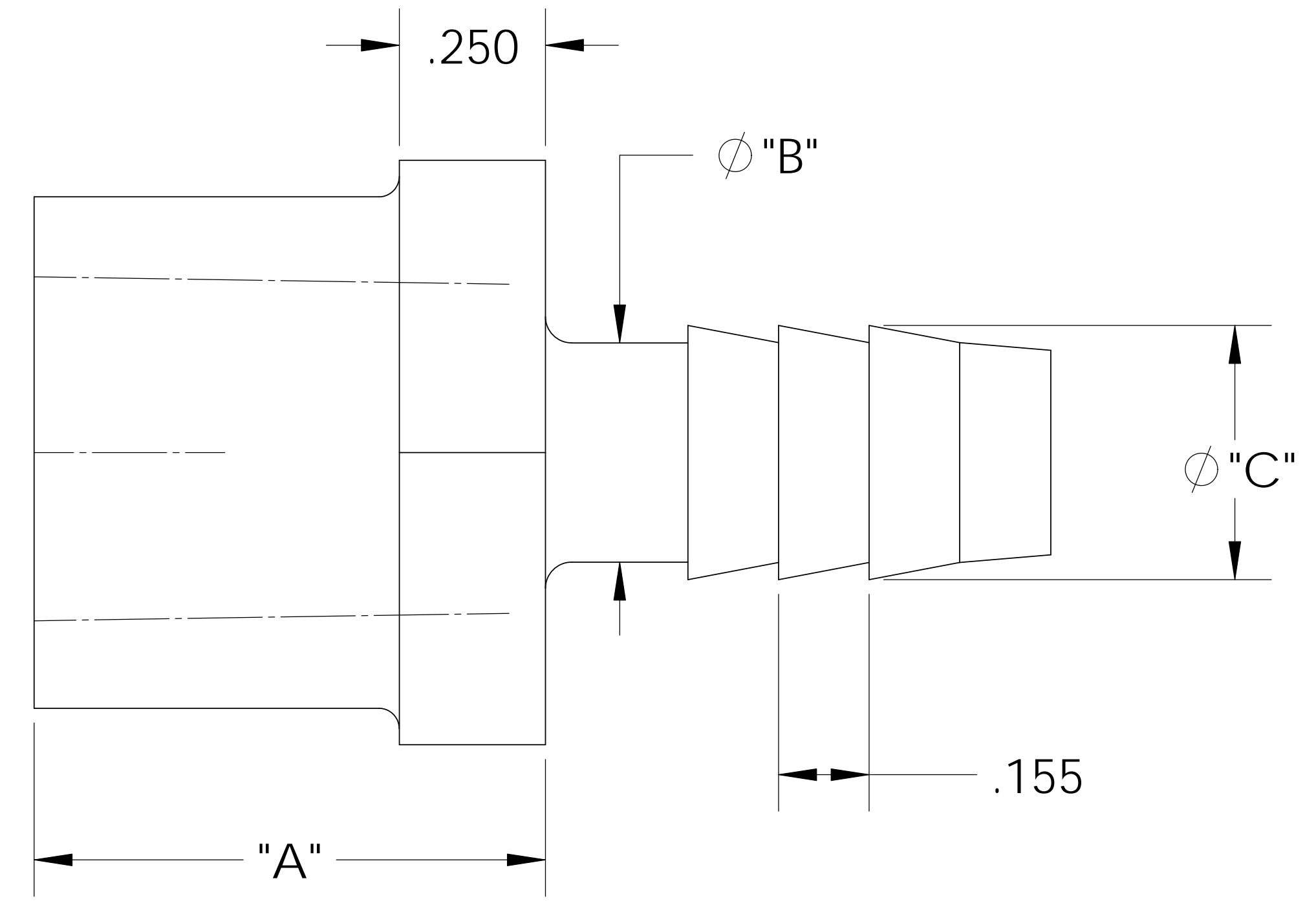
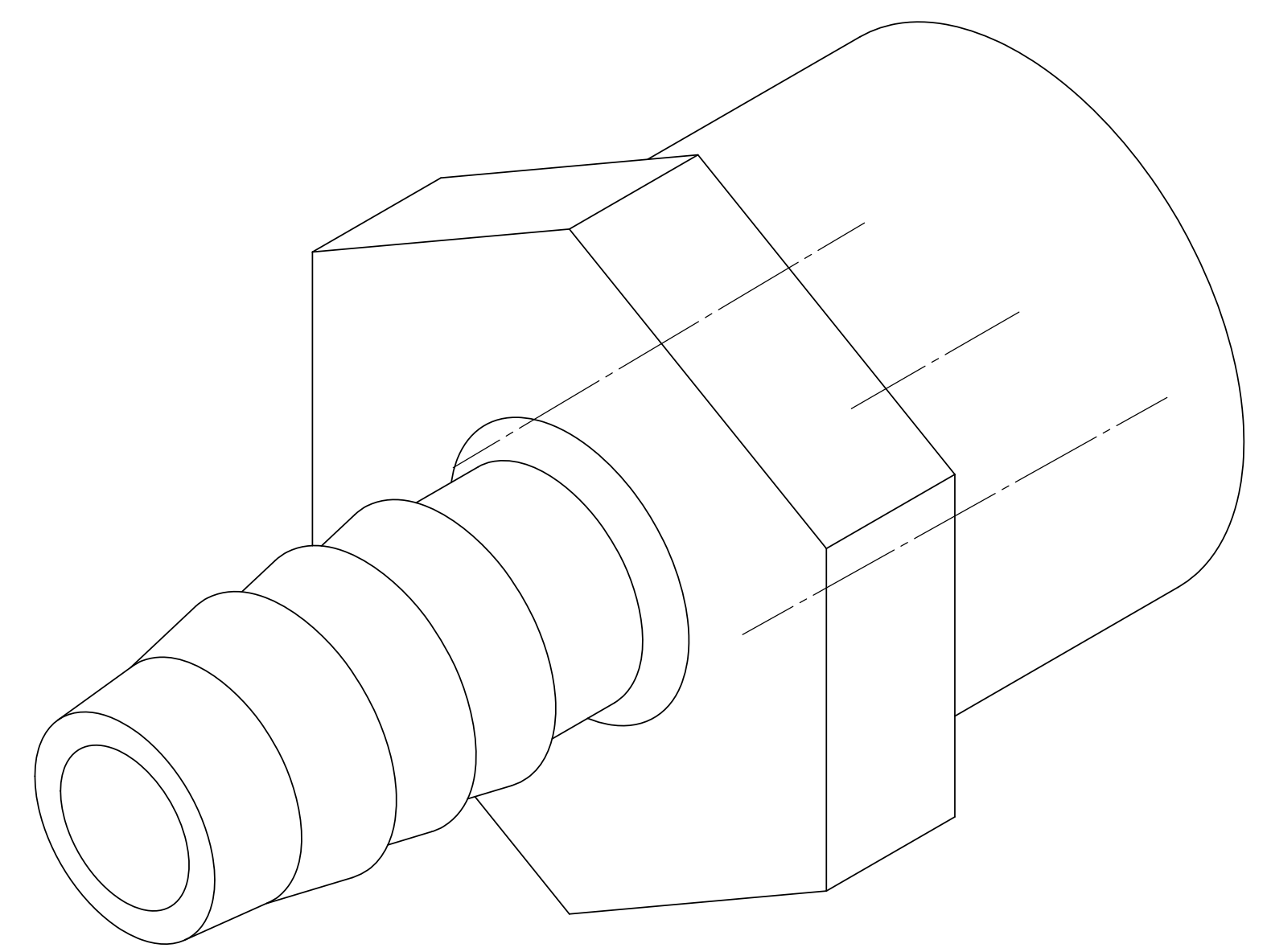


UNCONTROLLED IF PRINTED; CONTROLLED DOCUMENT LOCATED IN IQMS DOCUMENT CONTROL



CATALOG NO.	DESCRIPTION	MATERIAL	DIM "A"	DIM "B"	DIM "C"	DIM "D"	DIM "E"	DIM "F"	DIM "G"
TAF1066/PP	3/8" NPT X 3/8" PP	POLYPROPYLENE	.865	.370	.430	.99	.245	1.72	.870
TAF1066/N	3/8" NPT X 3/8" N	NYLON	.875	.375	.435	1.00	.250	1.74	.875

SHOWN

NOTES:

- 1) POLYPROPYLENE HAS COLOR OPTIONS:
 BLACK = TAF1066/PPB
 NATURAL = TAF1066/PPN

PROPRIETARY AND CONFIDENTIAL
 THE INFORMATION CONTAINED IN THIS DRAWING IS THE SOLE PROPERTY OF THOGUS PRODUCTS COMPANY. ANY REPRODUCTION IN PART OR AS A WHOLE WITHOUT THE WRITTEN PERMISSION OF THOGUS PRODUCTS COMPANY IS PROHIBITED.

REV	WRO#	DESCRIPTION
D	95.00144	CONVERTED TO 3D FORMAT
HISTORY		

UNLESS OTHERWISE SPECIFIED:		
DIMENSIONS ARE IN INCHES		
TOLERANCES:		
ANGULAR: ±0.5°		
X.X = ± 0.1		
X.XX = ± 0.05		
X.XXX = ± 0.015		
REMOVE ALL SHARP EDGES AND BURRS		
BLEND ALL RADII TO 0.01IN		
INTERPRET GEOMETRIC TOLERANCING PER: ANSI Y 14.5 1994		
MATERIAL: PP, N		
FINISH: NA		
THIRD ANGLE PROJECTION:		
NAME	JRM	DATE
DATE	05/24/11	
CHECKED	KDJ	5/24/11
ENG APPR.		XX/XX/XX
MFG APPR.		XX/XX/XX
Q.A.		XX/XX/XX
COMMENTS:		

Thogus You think it, we can make it...
 33490 PIN OAK, AVON LAKE, OH 44012
TITLE:
 3/8" NPT FEMALE X 3/8"
 BARB ADAPTER

SIZE B	DWG. NO. TAF1066	REV D
SCALE: 2:1	MASS:	SHEET 1 OF 1

DO NOT SCALE DRAWING