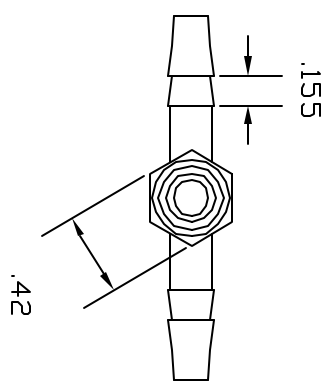
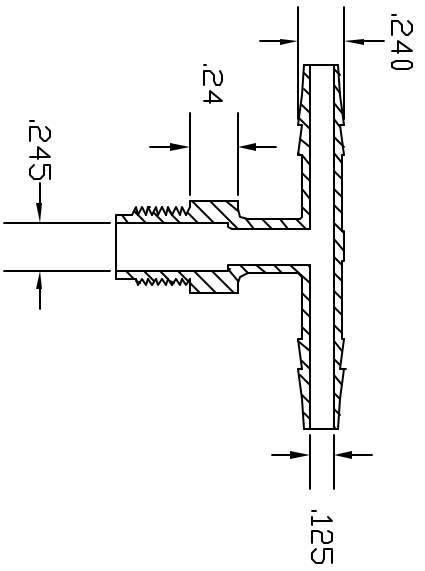
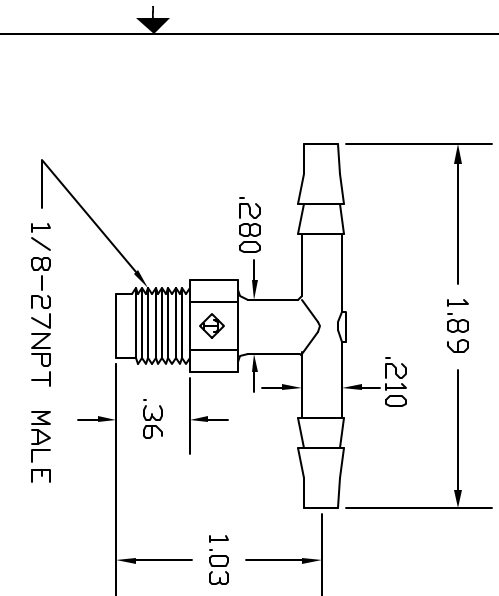


REV	DESCRIPTION	DATE	APPROVED
A	DRAWN AND RELEASED	4/98	4/98
B	MODIFY BARBS	12/06	12/06



UNLESS OTHERWISE SPECIFIED DIMENSIONS ARE IN INCHES TOLERANCES ARE: DECIMALS .005 FRACTIONS .005		Part Number	1/8NPT X 3/16 BARB X 3/16 BARB TEE
DESIGNED BY	DATE	Part Number	THOGUS PRODUCTS
DRAWN	4/98	TT3233/P	33490 PIN DAK PARKWAY AVON LAKE OHIO 44012
MATERIAL		SCALE	
POLYETHYLENE		1:1	
		SHEET	1 of 1
		REV	B

CONTROLLED DOCUMENT
ONLY IF IN RED