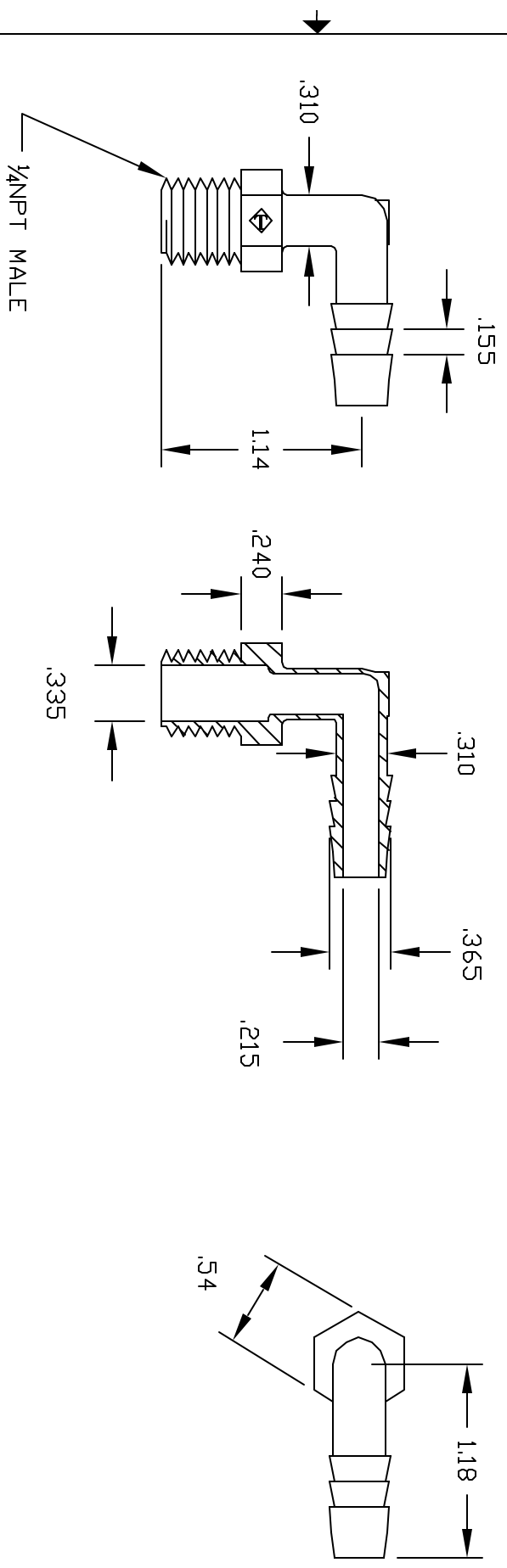


REVISIONS			
REV	DESCRIPTION	DATE	APPROVED
A	REDRAWN & RELEASED	10/97	10/97
B	1.15 WAS 1.12 .310 WAS .343	01/20/00	BM
C	UPDATE BARB	12/03	12/03



CONTROLLED DOCUMENT  
ONLY IF IN RED

CONFIDENTIAL  
THIS PRINT AND THE SPECIFICATIONS ARE THE PROPERTY OF THOGUS PRODUCTS COMPANY AND HAVE BEEN ISSUED WITH THE UNDERSTANDING THAT IT IS TO BE KEPT FOR THE USE OF THE MANUFACTURE FOR OTHERS AND WILL BE RETURNED UPON REQUEST.

UNLESS OTHERWISE SPECIFIED DIMENSIONS ARE IN INCHES		Part Number	1/4NPT X 5/16 BARB ELBOW
TOLERANCES UNLESS OTHERWISE SPECIFIED		Part Number	TE2045/P
XX	+/- .05	Part Number	TE2045/P
XXX	+/- .015	Part Number	TE2045/P
DRAWN	NM	Part Number	TE2045/P
MATERIAL	2045P	Part Number	TE2045/P
MATERIAL	POLYETHYLENE	Part Number	TE2045/P
SCALE	1	Part Number	TE2045/P
SCALE	1	Part Number	TE2045/P
SCALE	1	Part Number	TE2045/P

**THOGUS PRODUCTS**  
33490 PIN DAK PARKWAY  
AYDON LAKE OHIO 44012

REV C