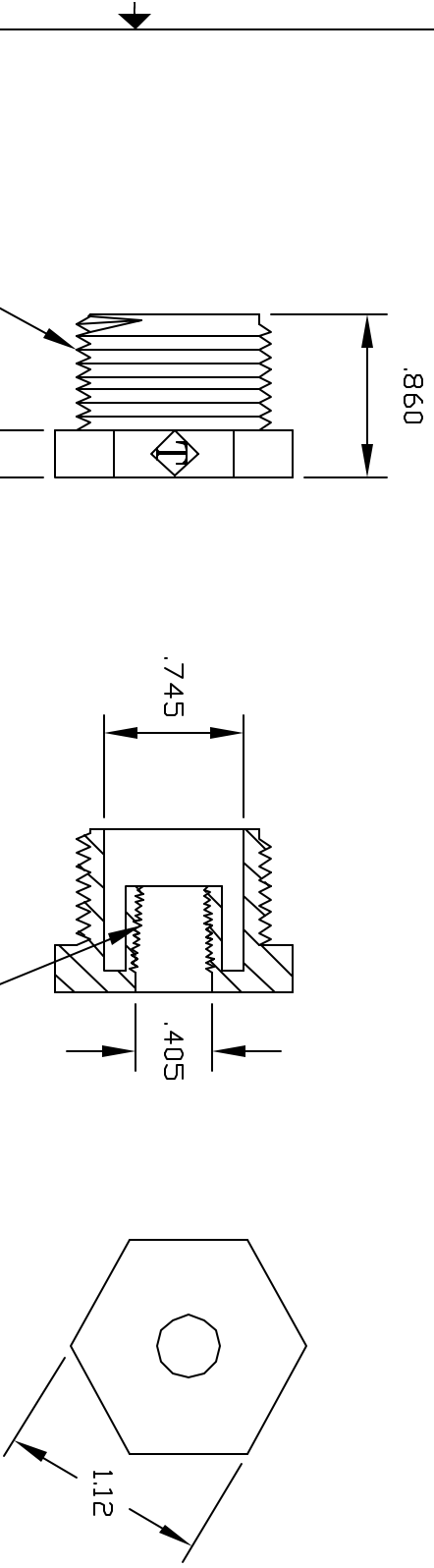


REVISIONS			
REV	DESCRIPTION	DATE	APPROVED
A	DRAWN	03/03	
B	UPDATE DWG	9/07	9/07



MALE 3/4NPT

FEMALE 1/8NPT

CONTROLLED DOCUMENT
ONLY IF IN RED

CONFIDENTIAL

THIS PRINT AND THE SPECIFICATIONS ARE THE PROPERTY OF THOGUS PRODUCTS COMPANY AND HAVE BEEN ISSUED WITH THE UNDERSTANDING THAT REUSE, REPRODUCTION, OR THE REVEALING OF THE DESIGN FOR THE MANUFACTURE FOR OTHERS AND WILL BE RETURNED UPON REQUEST. Ⓢ

UNLESS OTHERWISE SPECIFIED DIMENSIONS ARE IN INCHES	SECTION TOLERANCES	Part Name
XX +/- .05	YY +/- .05	3/4NPT MALE X 1/8NPT FEMALE REDUCER BUSHING
XXX +/- .05		
DRAWN	BM	Part Number
TRB3418N		TRB3418/N
MATERIAL	NYLON	REV
		B
THOGUS PRODUCTS 33490 PIN DAK PARKWAY AYOON LAKE OHIO 44012		SHEET 1 of 1