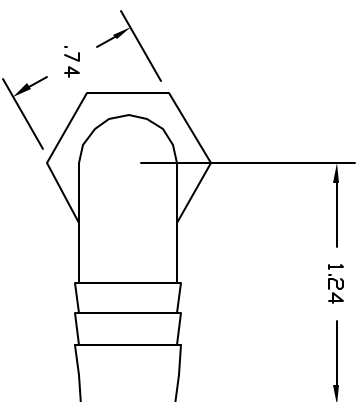
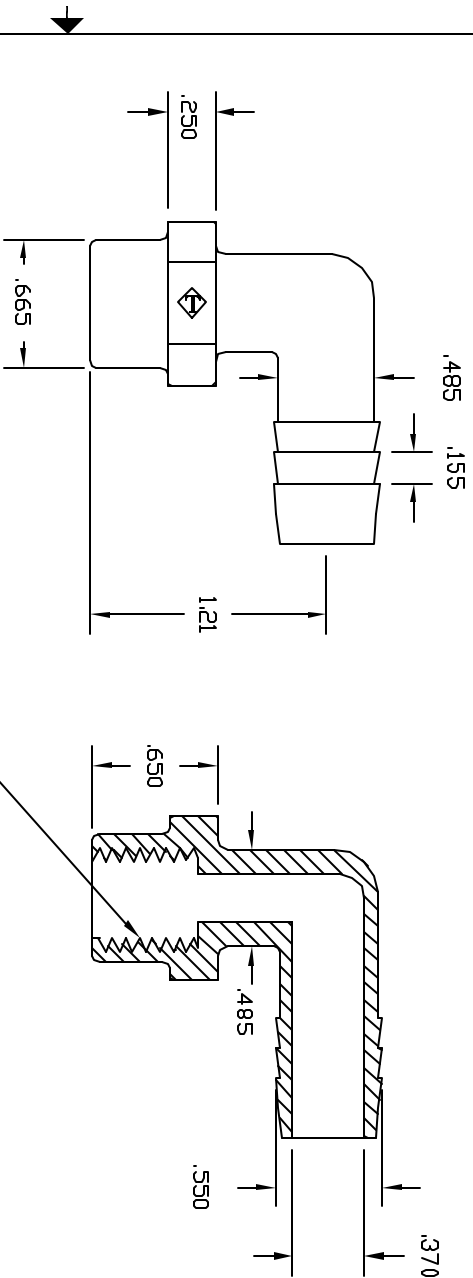


REVISIONS			
REV	DESCRIPTION	DATE	APPROVED
A	DRAWN & RELEASED	04/02/04	04/02



CONTROLLED DOCUMENT  
ONLY IF IN RED

CONFIDENTIAL  
THIS PRINT AND THE SPECIFICATIONS ARE THE PROPERTY OF THOGUS PRODUCTS COMPANY AND HAVE BEEN ISSUED WITH THE UNDERSTANDING THAT ALL INFORMATION CONTAINED HEREIN IS UNCLASSIFIED AND THE DESIGN AND MANUFACTURE THEREOF WILL BE RETURNED UPON REQUEST.

UNLESS OTHERWISE SPECIFIED DIMENSIONS ARE IN INCHES		Part Name:	1/4NPT FEMALE 1/2 BARB FEMALE ELBOW
TOLERANCES UNLESS SHOWN		Part Number:	TEF2048/PPB
XX	+/- .05	Material:	POLYPROPYLENE
XXX	+/- .015	Finish:	BM
Drawn:	BM	Scale:	1:1
Part Number:	TEF2048/PPB	Rev:	A
Material:	POLYPROPYLENE	Sheet:	1 of 1
THOGUS PRODUCTS		33490 PIN DAK PARKWAY AYDON LAKE OHIO 44012	

Small text at the bottom of the drawing area, likely a copyright notice or disclaimer.