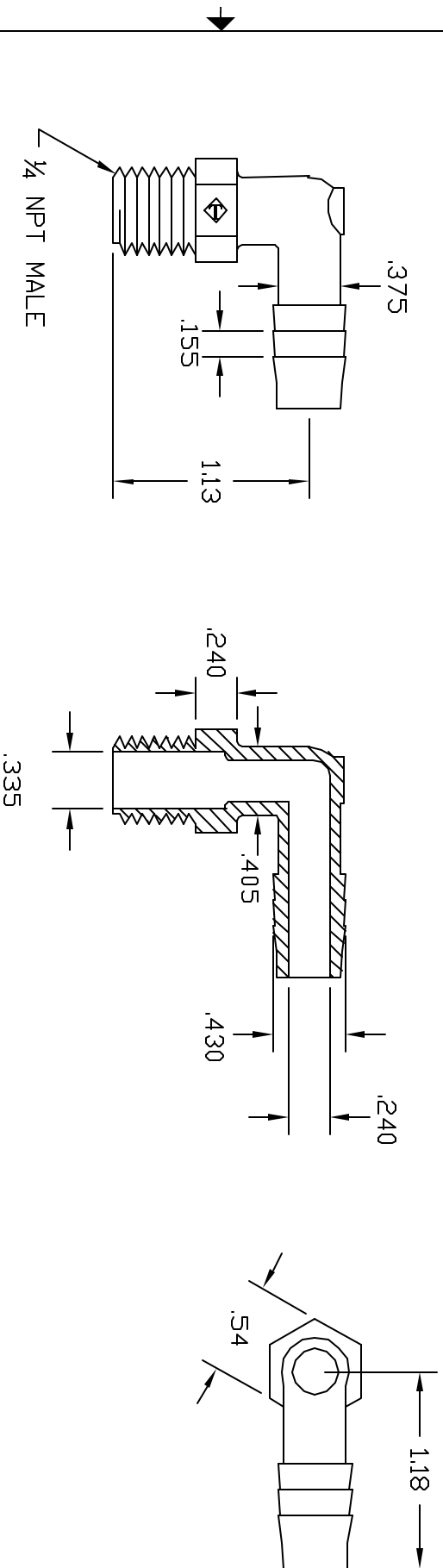


| REVISIONS | | | |
|-----------|---|-------|----------|
| REV | DESCRIPTION | DATE | APPROVED |
| A | REDRAWN & RELEASED | 9/97 | 9/97 |
| B | Corrected Dim. .250 was .300 and added .281 | 7/99 | 7/99 |
| C | MODIFY BARBS | 12/02 | 12/02 |



CONTROLLED DOCUMENT
ONLY IF IN RED

THIS PRINT AND THE SPECIFICATIONS ARE THE PROPERTY OF THOGUS PRODUCTS COMPANY AND HAVE BEEN ISSUED WITH THE UNDERSTANDING THAT REPRODUCTION AND USE FOR OTHER MANUFACTURE FOR OTHERS AND WILL BE RETURNED UPON REQUEST.

| | | | | | |
|---|--|-----------------------|--|------|--|
| UNLESS OTHERWISE SPECIFIED DIMENSIONS ARE IN INCHES | | DRAWN | | DATE | |
| SPECIFIC DIMENSIONS | | NM | | 9/97 | |
| XX +/- .05 | | | | | |
| XXX +/- .015 | | | | | |
| MATERIAL | | CHECKED | | DATE | |
| POLYETHYLENE | | E2046P | | | |
| Part Name | | Part Number | | REV | |
| 1/4NPT X 3/8 BARB ELBOW | | TE2046/P | | C | |
| THOGUS PRODUCTS | | 33490 PIN DAK PARKWAY | | | |
| | | AYDON LAKE OHIO 44012 | | | |
| SCALE 1:1 | | SHEET 1 of 1 | | | |