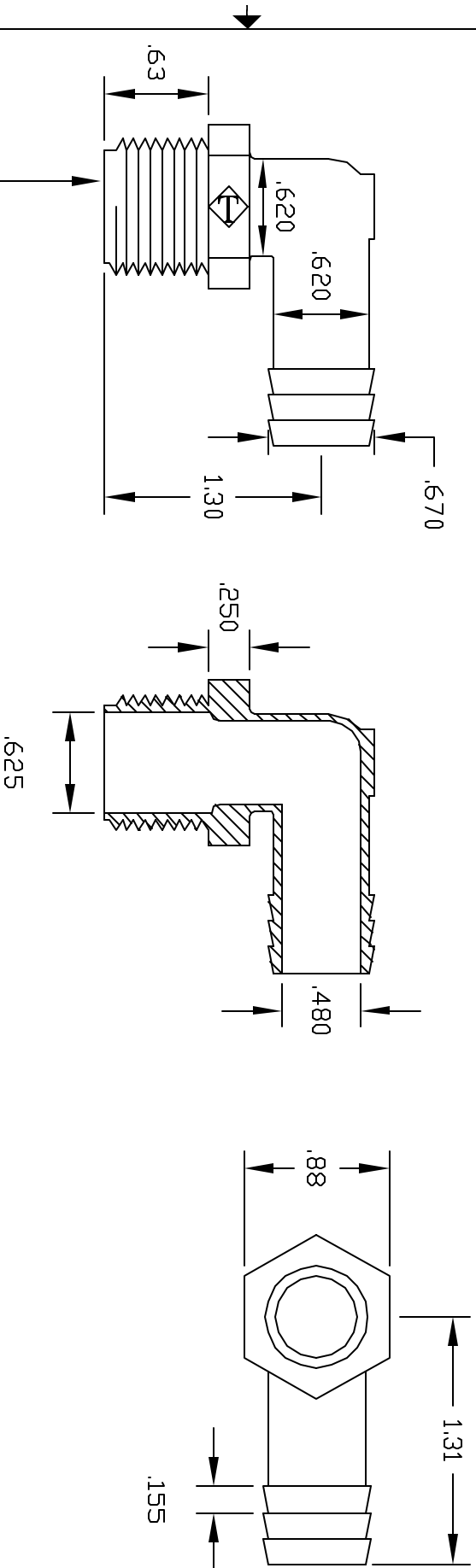


REVISIONS			
REV	DESCRIPTION	DATE	APPROVED
A	REDRAWN & RELEASED	4/97	4/97
B	DIM 0.590 REMOVED	01/06/2000	BM
C	UPDATE DWG	9/07	9/07



CONTROLLED DOCUMENT  
ONLY IF IN RED

THIS PRINT AND THE SPECIFICATIONS ARE THE PROPERTY OF THOGUS PRODUCTS COMPANY AND HAVE BEEN ISSUED WITH THE UNDERSTANDING THAT IT IS TO BE USED FOR THE MANUFACTURE OF THE PARTS AND WILL BE RETURNED UPON REQUEST.

UNLESS OTHERWISE SPECIFIED DIMENSIONS ARE IN INCHES		TOLERANCES	
FRACTIONS		DECIMALS	
XX +/- .05		XX +/- .05	
XXX +/- .015		XX +/- .015	
DRAWN	DATE	Part Name	REV
NM		1/2NPT X 5/8 BARB ELBOW	C
PROJ. NO.		TE20810S/N	
MATERIAL		NYLON	
THOGUS PRODUCTS		33490 PIN DAK PARKWAY AYDON LAKE OHIO 44012	
SCALE	1:1	SHEET	1 of 1