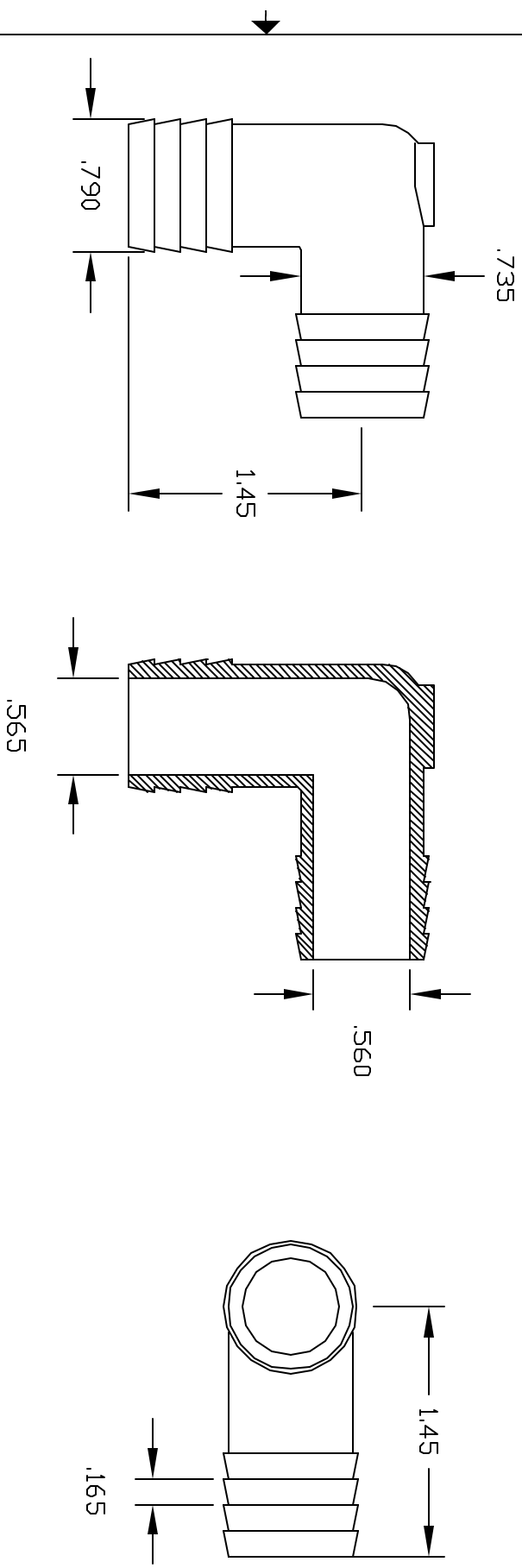


REVISIONS			
REV	DESCRIPTION	DATE	APPROVED
A	REDRAWN & RELEASED	2/98	2/98
B	GATE PAD ADDED	9/98	9/98



UNLESS OTHERWISE SPECIFIED DIMENSIONS ARE IN INCHES		TOLERANCES	
XX	+/- .05	XX	+/- .05
XXX	+/- .015		
DRAWN	NM	DATE	
MATERIAL	201212-TP	Part Number	TE201212-T/P
	POLYETHYLENE	SCALE	1:1
		SHEET	1 of 1
		REV	B

CONFIDENTIAL
THIS PRINT AND THE SPECIFICATIONS ARE THE PROPERTY OF THOGUS PRODUCTS COMPANY AND HAVE BEEN ISSUED WITH THE UNDERSTANDING THAT IT IS TO BE USED FOR THE MANUFACTURE OF THIS PART ONLY. IT IS TO BE RETURNED UPON REQUEST.

CONTROLLED DOCUMENT
ONLY IF IN RED

Part Number
3/4 BAR X 3/4 BARB ELBOW

THOGUS PRODUCTS
33490 PIN DAK PARKWAY
AYDON LAKE OHIO 44012