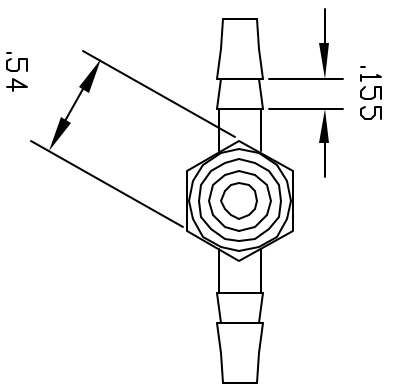
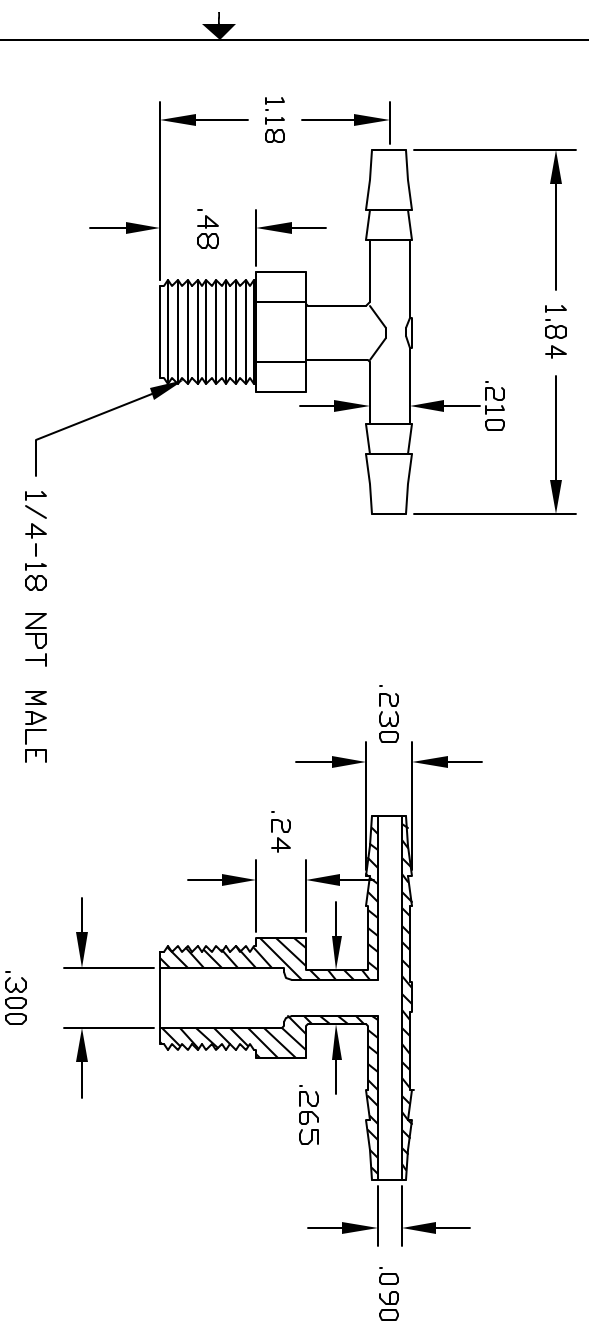


REVISIONS			
REV	DESCRIPTION	DATE	APPROVED
A	DRAWN AND RELEASED	4/98	4/98
B	MODIFY BARBS	12/06	12/06



CONTROLLED DOCUMENT
ONLY IF IN RED

UNLESS OTHERWISE SPECIFIED DIMENSIONS ARE IN INCHES TOLERANCES ARE AS FOLLOWS		Part Name:	1/4NPT X 3/16 BARB X 3/16 BARB TEE
DECIMALS XXX +/- .003	FRACTIONS XX +/- .005	Part Number:	TT3433/P
ANGLES +/- .05	DATE	THOGUS PRODUCTS	33490 PIN DAK PARKWAY AYDON LAKE OHIO 44012
DRAWN	NM	DATE	4/98
DESIGNED	3433P	MATERIAL	POLYETHYLENE
SCALE	1:1	SHEET	1 of 1
REV	A		