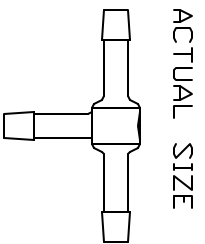
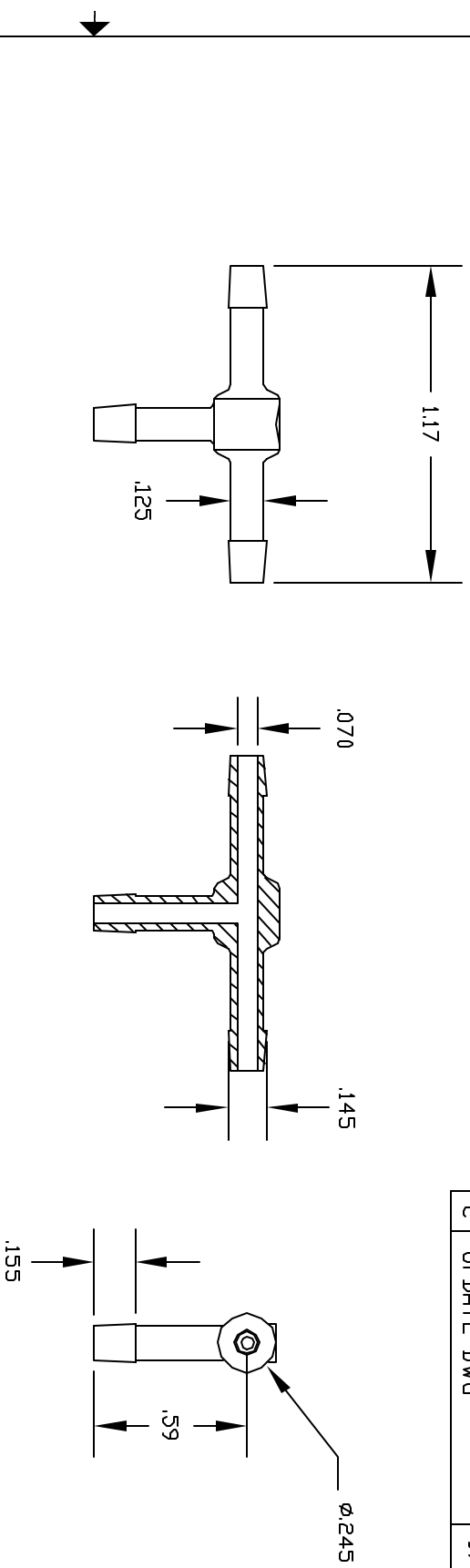


REV	DESCRIPTION	DATE	APPROVED
A	DRAWN AND RELEASED	2/98	2/98
B	ADD GATE PAD	5/04	5/04
C	UPDATE DWG	9/07	9/07



COLOR: BLACK (PPB)

NATURAL (PPN)

CONTROLLED DOCUMENT
ONLY IF IN RED

UNLESS OTHERWISE SPECIFIED DIMENSIONS ARE IN INCHES TOLERANCES ARE: DECIMALS ANGLES .XX +/- .05 +/- .05		Part Name 1/8 BARB X 1/8 BARB X 1/8 BARB MINI TEE
DESIGN PIL YPROPYLENE	DATE 2/98	THOGUS PRODUCTS 33490 PIN DAK PARKWAY AVON LAKE OHIO 44012
DRAWN NM	Part Number TT9222/PP	REV C
FILED 9222PP	SHEET 1	OF 1