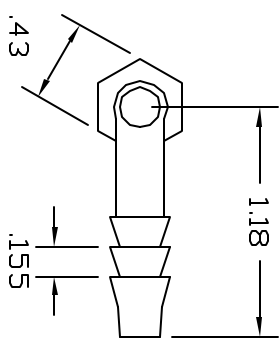
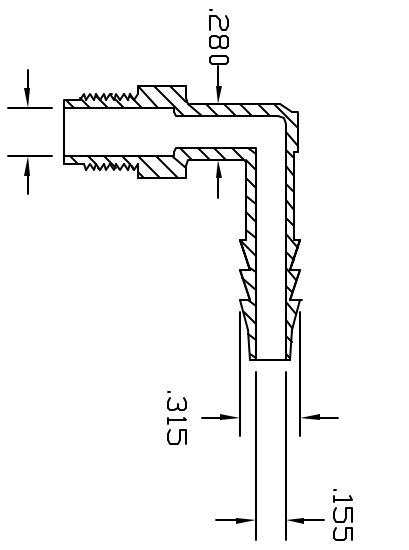
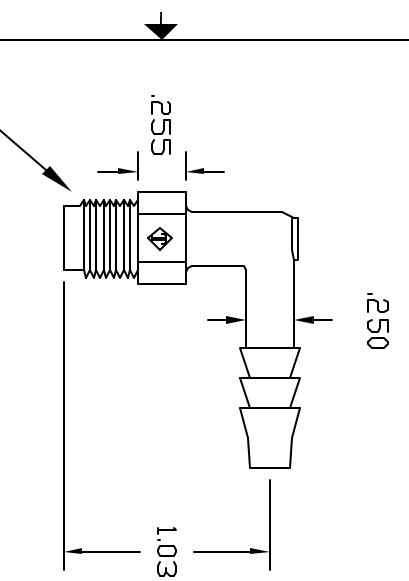


REVISIONS			
REV	DESCRIPTION	DATE	APPROVED
A	REDRAWN & RELEASED	11/97	11/97
B	UPDATE DWG. WITH NEW THREAD TOOLING	5/00	5/00
C	MODIFY BARBS	12/02	12/02



CONTROLLED DOCUMENT
ONLY IF IN RED

CONFIDENTIAL
THIS PRINT AND THE SPECIFICATIONS ARE THE PROPERTY OF THOGUS PRODUCTS COMPANY AND HAVE BEEN ISSUED WITH THE UNDERSTANDING THAT IT IS TO BE USED FOR THE MANUFACTURE OF THIS PART ONLY. IT IS NOT TO BE REPRODUCED OR TRANSMITTED IN ANY FORM OR BY ANY MEANS, ELECTRONIC OR MECHANICAL, INCLUDING PHOTOCOPYING, RECORDING, OR BY ANY INFORMATION STORAGE AND RETRIEVAL SYSTEM, WITHOUT PERMISSION IN WRITING FROM THOGUS PRODUCTS COMPANY. IF YOU ARE NOT AN AUTHORIZED USER, YOU WILL BE RETURNED UPON REQUEST.

UNLESS OTHERWISE SPECIFIED DIMENSIONS ARE IN INCHES		DRAWN		DATE	
TOLERANCES ARE:		NM		11/97	
FRACTIONS		2024N		PART NUMBER	
XX +/- .05		NYLON		TE2024/N	
XXX +/- .015		SCALE 1:1		SHEET 1 of 1	
PART NAME		THOGUS PRODUCTS			
1/8 NPT X 1/4 BARBED ELBOW		33490 PIN DAK PARKWAY AVON LAKE OHIO 44012			