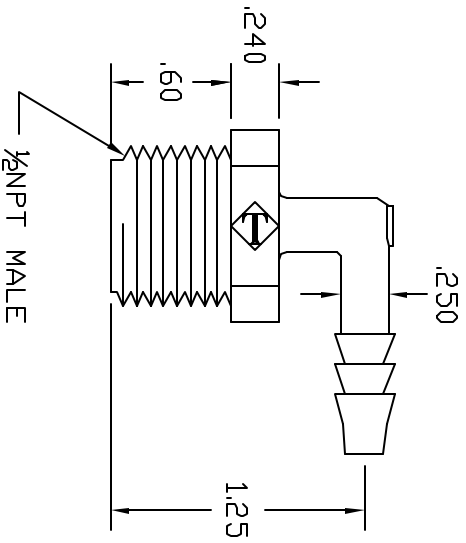
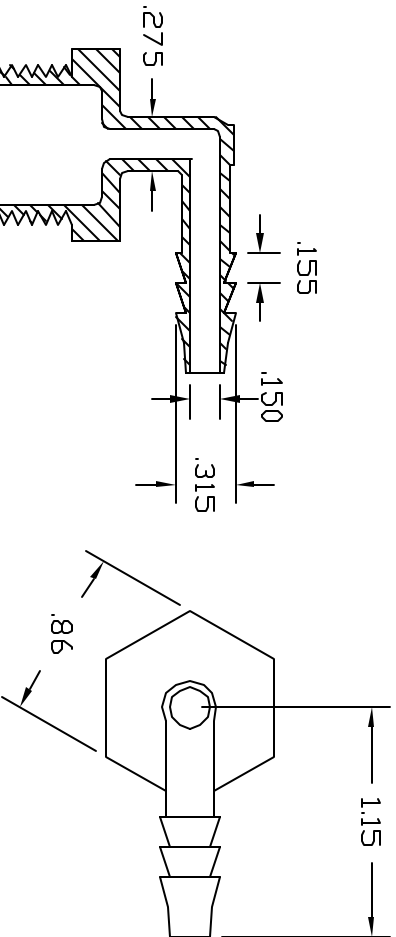


REVISIONS			
REV	DESCRIPTION	DATE	APPROVED
A	REDRAWN & RELEASED	5/98	5/98
B	MODIFY BARBS	12/02	12/02



CONTROLLED DOCUMENT
ONLY IF IN RED

THIS PRINT AND THE SPECIFICATIONS ARE THE PROPERTY OF THOGUS PRODUCTS COMPANY AND HAVE BEEN ISSUED WITH THE UNDERSTANDING THAT THE USER AND THE USER'S MANUFACTURER WILL BE RESPONSIBLE FOR OBTAINING THE NECESSARY RIGHTS TO MANUFACTURE OR REPRODUCE THIS DRAWING FOR OTHERS AND WILL BE RETURNED UPON REQUEST.

UNLESS OTHERWISE SPECIFIED DIMENSIONS ARE IN INCHES		DRAWN		DATE	
XX +/- .05	XX +/- .05	NM	1/7/98		
XXX +/- .015	XX +/- .05	MATERIAL		Part Name	
POLYETHYLENE		2084P		1/2 NPT X 1/4 BARBED ELBOW NYLON	
SCALE 1:1		Part Number		THOGUS 33490 PIN DAK PARKWAY	
		TE2084/P		AYDON LAKE OHIO 44012	
SHEET 1 of 1		REV		B	