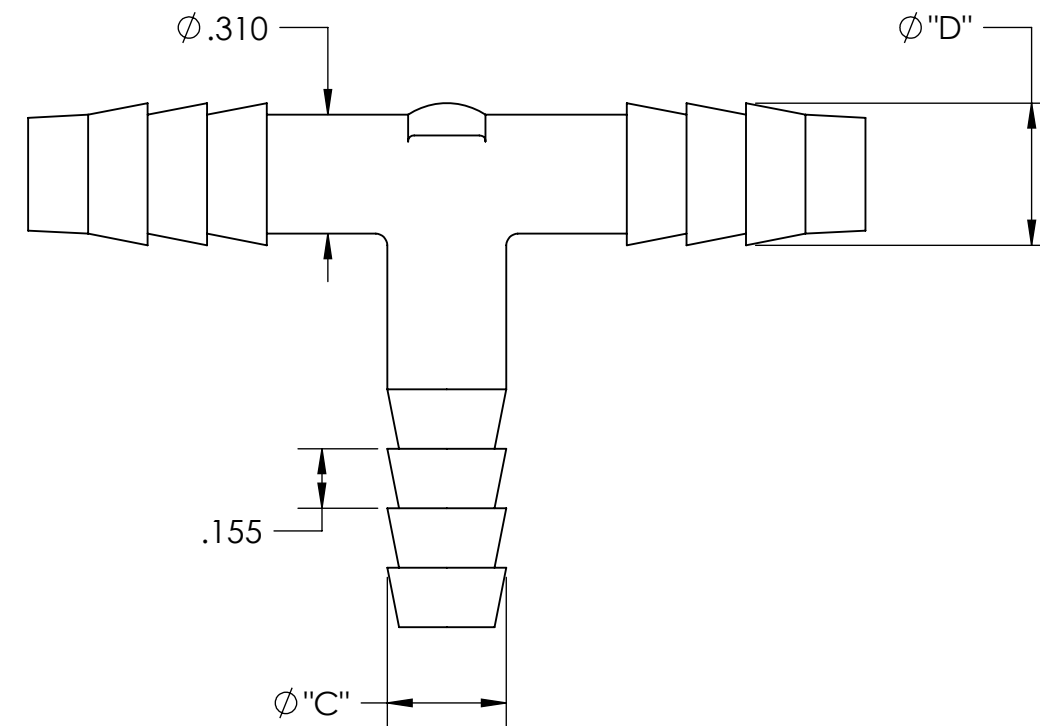
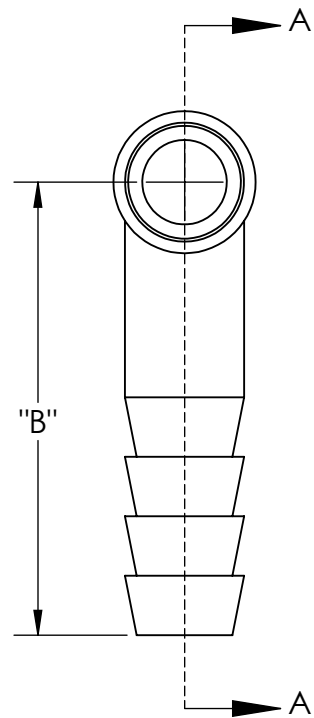


SECTION A-A



NOTES:

- 1) POLYPROPYLENE HAS COLOR OPTIONS:
NATURAL = TT3433/PPN
BLACK = TT3433/PPB

CATALOG NO.	DESCRIPTION	MATERIAL	DIM "A"	DIM "B"	DIM "C"	DIM "D"
TT9455/P	1/4 X 5/16 X 5/16 P	POLYETHYLENE	.215	1.14	.305	.360
TT9455/N	1/4 X 5/16 X 5/16 N	NYLON	.220	1.18	.306	.370
TT9455/PPB	1/4 X 5/16 X 5/16 PPB	POLYPROPYLENE	.210	1.16	.300	.355

REV	WRO#	DESCRIPTION
D	95.00053	CONVERTED TO 3D FORMAT
E		ADDED POLYPROPYLENE
HISTORY		

UNLESS OTHERWISE SPECIFIED:	
DIMENSIONS ARE IN INCHES	
TOLERANCES:	
ANGULAR: $\pm 0.5^\circ$	
X.X = ± 0.1	
X.XX = ± 0.05	
X.XXX = ± 0.015	
REMOVE ALL SHARP EDGES AND BURRS	
BLEND ALL RADII TO 0.01IN	
INTERPRET GEOMETRIC TOLERANCING PER: ANSI Y 14.5 1994	
MATERIAL:	P, N
FINISH:	NA
THIRD ANGLE PROJECTION:	

NAME	DATE
DRAWN: KDJ	
CHECKED: KDJ	12/17/10
ENG APPR.	XX/XX/XX
MFG APPR.	XX/XX/XX
Q.A.	XX/XX/XX
COMMENTS:	
DO NOT SCALE DRAWING	

33490 PIN OAK, AVON LAKE, OH 44012

TITLE:
 1/4 BARB X 5/16 BARB X
 5/16 BARB TEE

SIZE B	DWG. NO. TT9455	REV E
SCALE: 2:1	MASS:	SHEET 1 OF 1

PROPRIETARY AND CONFIDENTIAL
 THE INFORMATION CONTAINED IN THIS DRAWING IS THE SOLE PROPERTY OF THOGUS PRODUCTS COMPANY. ANY REPRODUCTION IN PART OR AS A WHOLE WITHOUT THE WRITTEN PERMISSION OF THOGUS PRODUCTS COMPANY IS PROHIBITED.