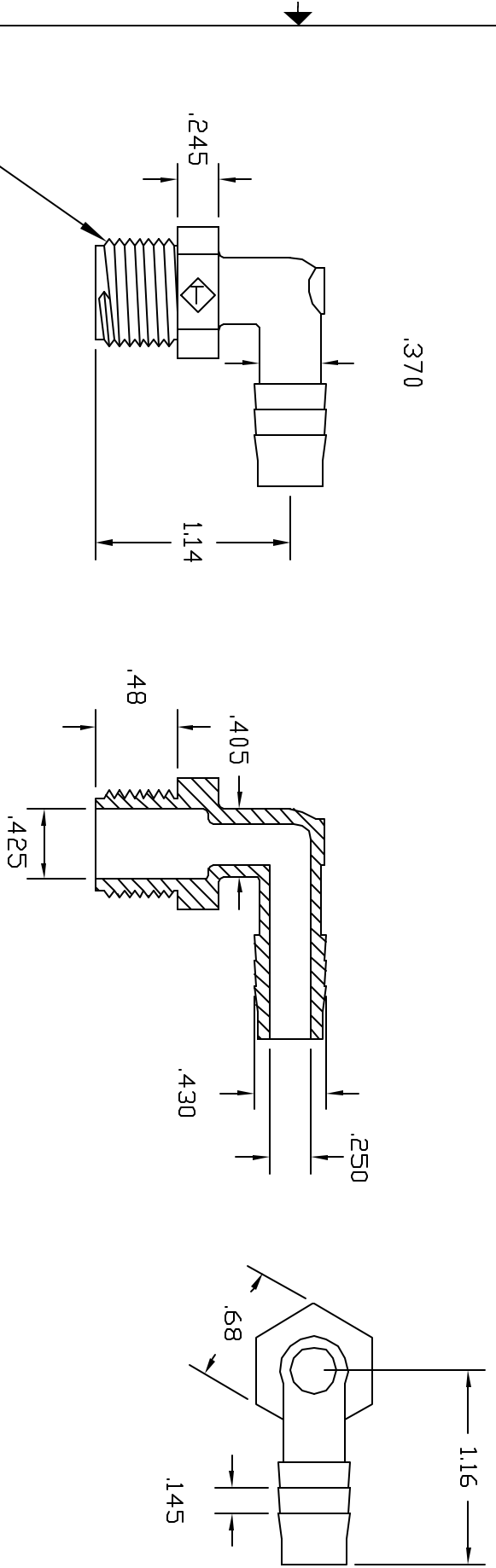


REVISIONS			
REV	DESCRIPTION	DATE	APPROVED
A	REDRAWN & RELEASED	5/98	5/98
B	MODIFY BARBS	12/02	12/02



CONTROLLED DOCUMENT
ONLY IF IN RED

THIS PRINT AND THE SPECIFICATIONS ARE THE PROPERTY OF THOGUS PRODUCTS COMPANY AND HAVE BEEN ISSUED WITH THE UNDERSTANDING THAT THE USER WILL BE RESPONSIBLE FOR THE MANUFACTURE OF THE PARTS AND WILL BE RETURNED UPON REQUEST.

UNLESS OTHERWISE SPECIFIED DIMENSIONS ARE IN INCHES	
FRAGMENTS	20066P
DESIGN	NM
DATE	8/98
MATERIAL	POLYETHYLENE

Part Name:	3/8NPT X 3/8 BARB EL.BOW
Part Number:	TE2066/P
Scale:	1:1
Sheet:	1 of 1
Rev:	B

THOGUS PRODUCTS
33490 PIN DAK PARKWAY
AVON LAKE OHIO 44012