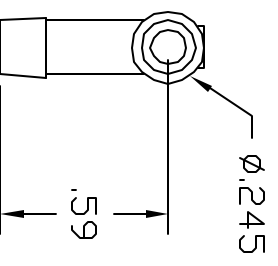
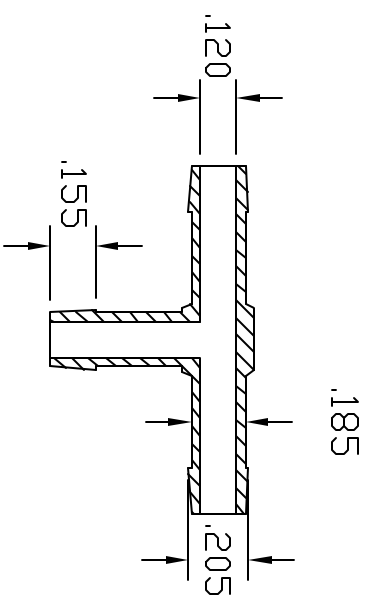
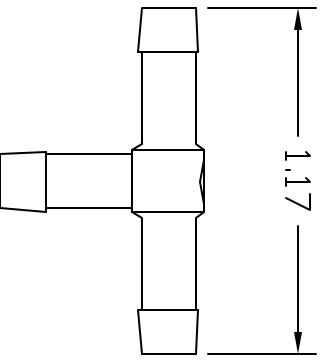
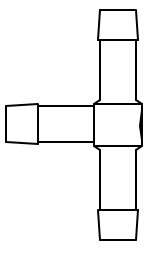


REVISIONS			
REV	DESCRIPTION	DATE	APPROVED
A	DRAWN AND RELEASED	2/98	2/98
B	UPDATE TOOLING	5/04	5/04
C	UPDATE DWG	9/07	9/07



ACTUAL SIZE



COLOR: BLACK (PPB)

NATURAL (PPN)

CONTROLLED DOCUMENT
ONLY IF IN RED

UNLESS OTHERWISE SPECIFIED DIMENSIONS ARE IN INCHES TOLERANCES ARE: DECIMALS XXX +/- .015 XXX +/- .015 XXX +/- .05		Part Name: 3/16 BARB X 3/16 BARB X 3/16 BARB MINI TEE	
PLAQUE: 9187PP	DATE: 2/98	THOGUS PRODUCTS 33490 PIN OAK PARKWAY AVON LAKE OHIO 44012	
MATERIAL: POLYPROPYLENE	REV: C	Part Number: TT9187/PP	SHEET 1 of 1