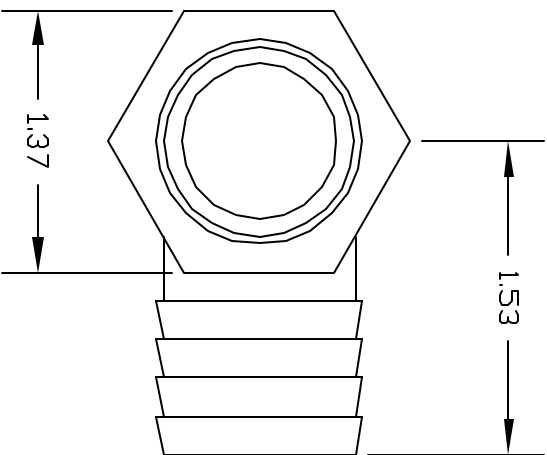
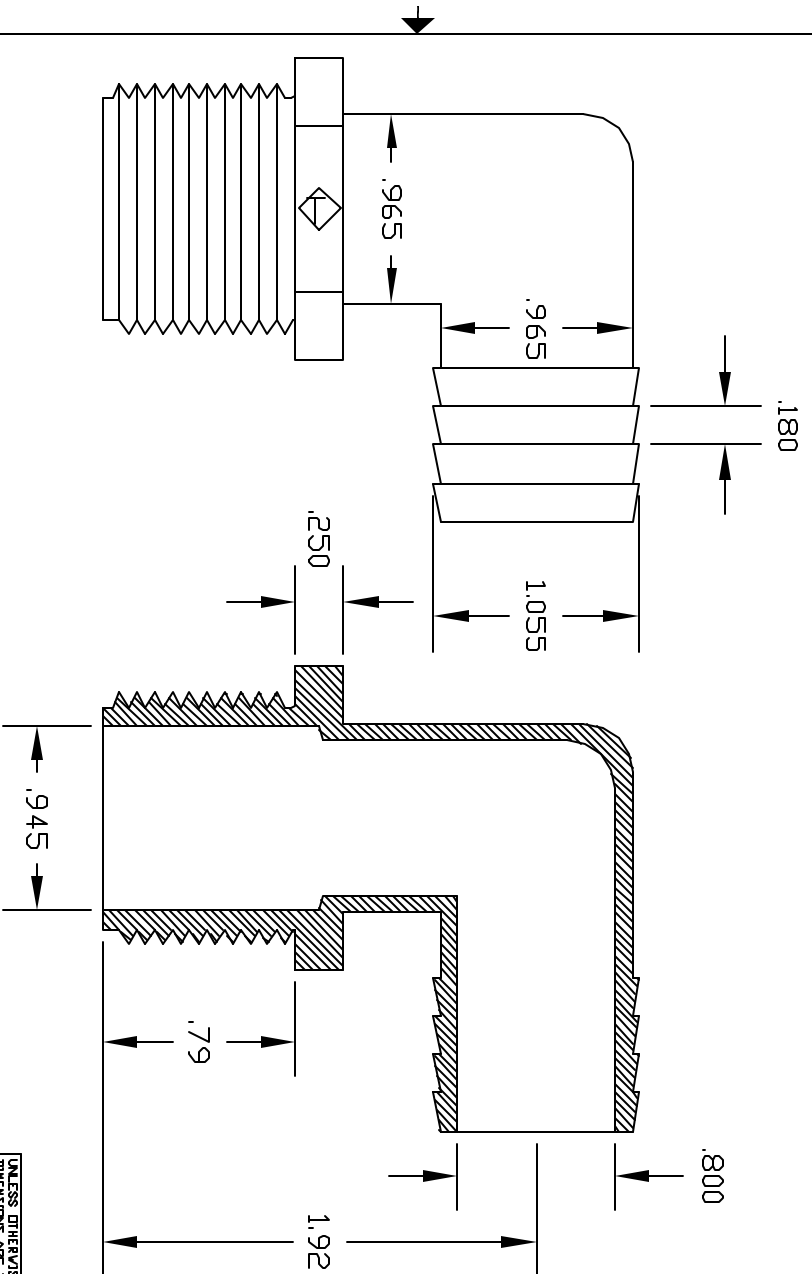


REVISIONS			
REV	DESCRIPTION	DATE	APPROVED
A	REDRAWN & RELEASED	5/98	5/98
B	GATE PAD ADDED	9/98	9/98



COLOR: BLACK (PPB)

NATURAL (PPN)

CONTROLLED DOCUMENT
ONLY IF IN RED

CONFIDENTIAL
THIS PRINT AND THE SPECIFICATIONS ARE THE PROPERTY OF THOGUS PRODUCTS COMPANY AND HAVE BEEN ISSUED WITH THE UNDERSTANDING THAT REVEALING AND THE REPRODUCING OF THE MANUFACTURE FOR OTHERS AND WILL BE RETURNED UPON REQUEST.

UNLESS OTHERWISE SPECIFIED
DIMENSIONS ARE IN INCHES
TOLERANCES UNLESS SHOWN
XX +/- .05
XXX +/- .015
DRAWN NM
MATERIAL POLYPROPYLENE

Part Name: INPT X 1 BARB ELBDW
Part Number: TE201616/PP
Scale: 1:1
SHEET 1 of 1
REV B

THOGUS PRODUCTS
33490 PIN DAK PARKWAY
AVON LAKE OHIO 44012

THOGUS PRODUCTS COMPANY
10000 W. 100th Street, Avon Lake, Ohio 44012
Phone: 440-933-2000 Fax: 440-933-2001