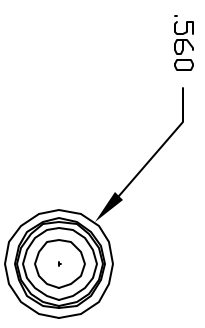
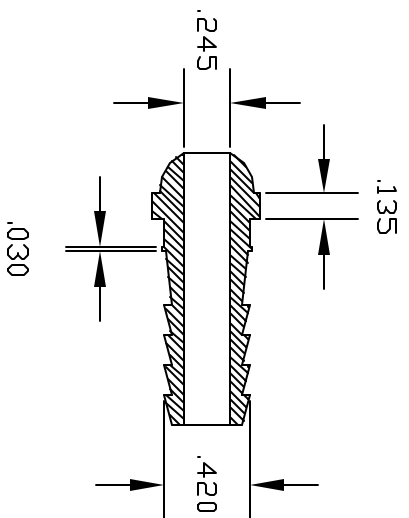
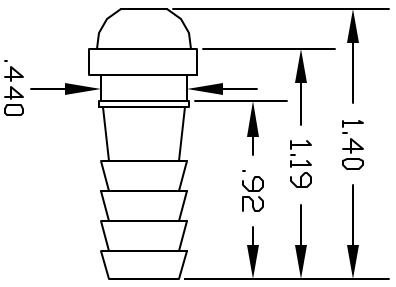


REVISIONS			
REV	DESCRIPTION	DATE	APPROVED
A	DRAWN AND RELEASED	1/98	
B	UPDATE DWG	9/07	9/07



TO MATE WITH THOGUS PART NUMBER
SN6/N, 3/8" NPT FEMALE NUT

CONTROLLED DOCUMENT
ONLY IF IN RED

UNLESS OTHERWISE SPECIFIED DIMENSIONS ARE IN INCHES TOLERANCES ANGULAR		Part Name	3/8 BARB SWIVEL NUT ADAPTER INSERT
DECIMALS .XX +/- .05	ANGULAR XX +/- .015	Part Number	SN6/PPB
DRAWN NM	DATE 1/98	THOGUS PRODUCTS	33490 PIN DAK PARKWAY AVON LAKE OHIO 44012
MATERIAL POLYPROPYLENE BLACK	REV B	SHEET 1	of 1