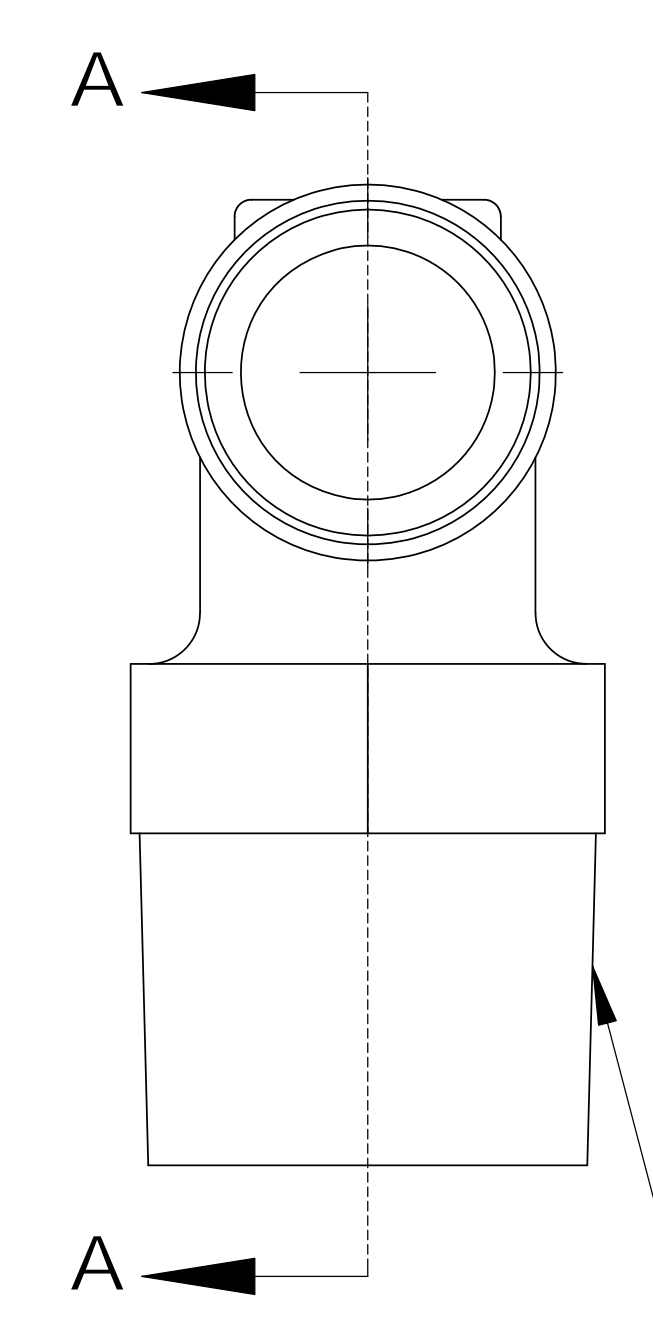
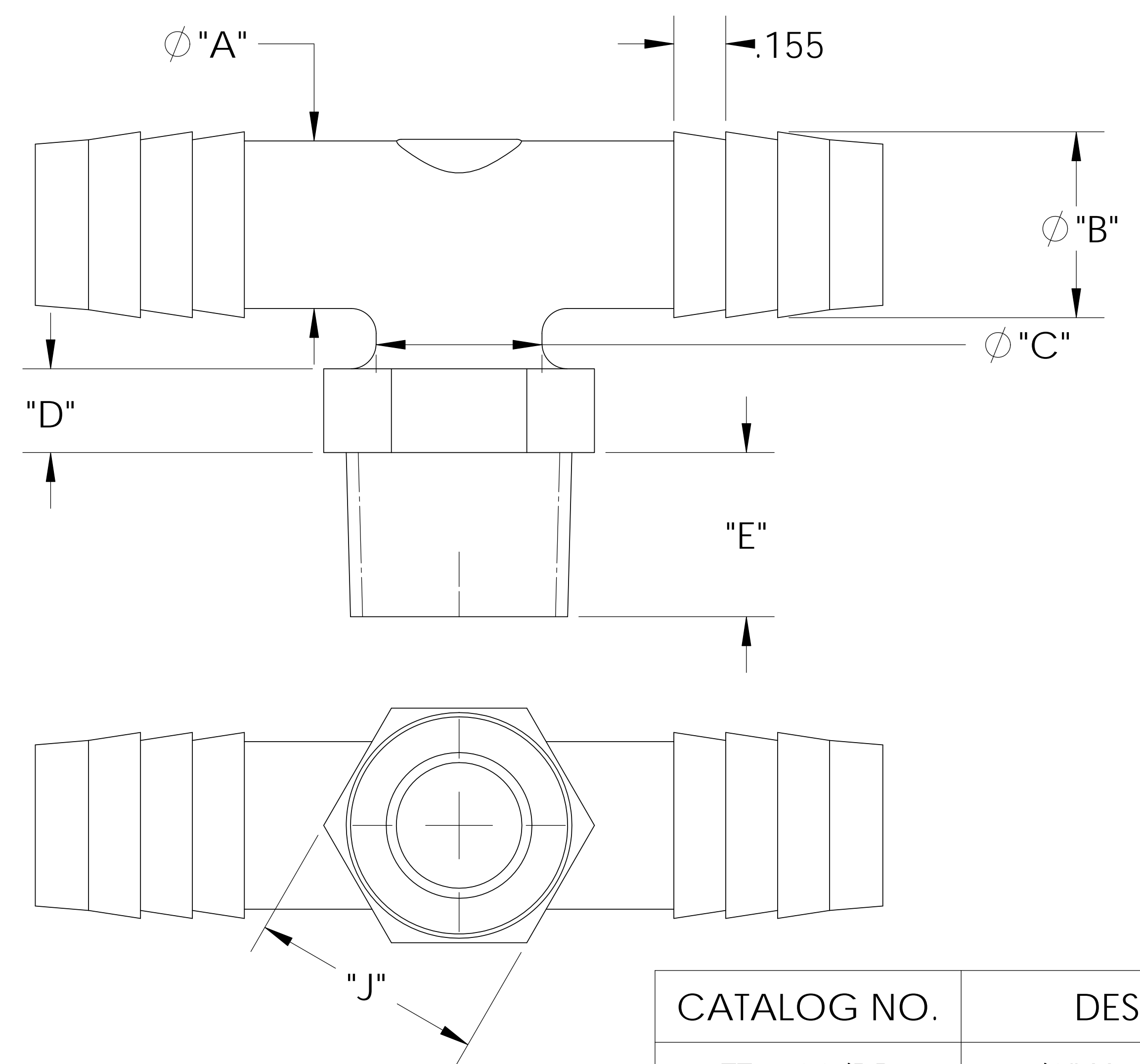
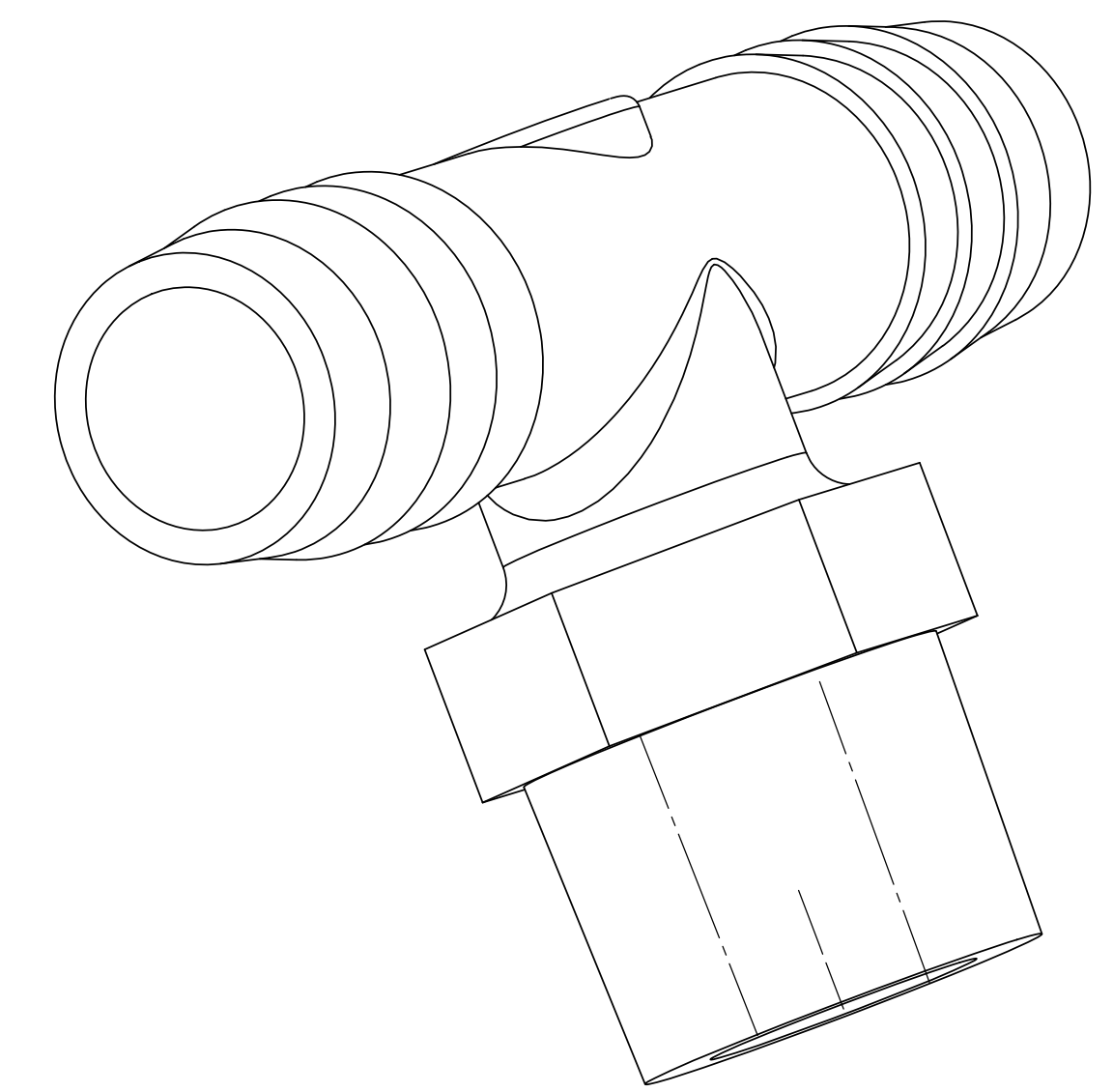
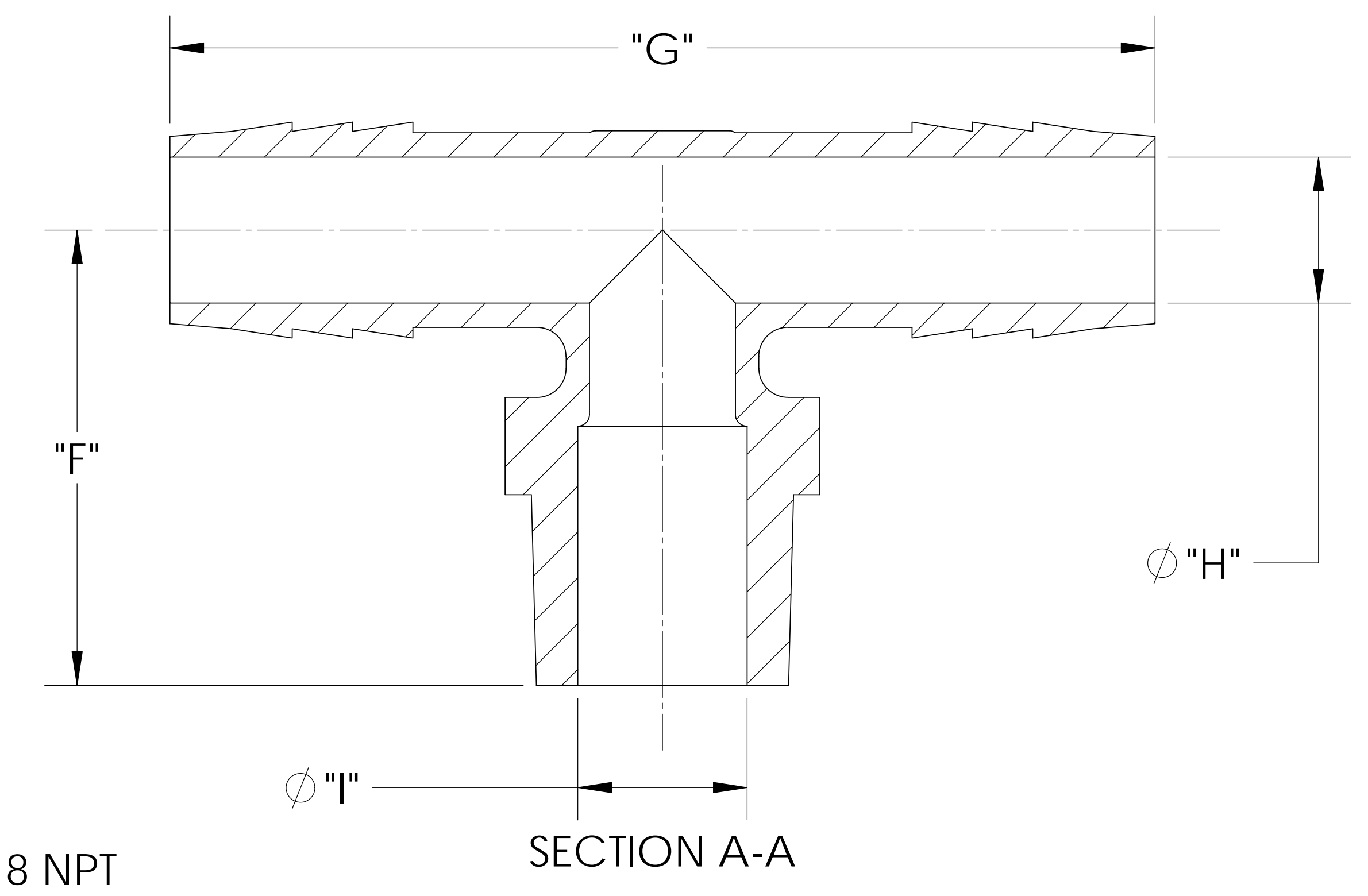


8 7 6 5 4 3 2 1



MALE 3/8"-18 NPT



CATALOG NO.	DESCRIPTION	MATERIAL	DIM "A"	DIM "B"	DIM "C"	DIM "D"	DIM "E"	DIM "F"	DIM "G"	DIM "H"	DIM "I"	DIM "J"
TT3688/PP	3/8" X 1/2" X 1/2" PP	POLYPROPYLENE	.490	.550	.490	.25	.48	1.16	2.50	.370	.430	.70
TT3688/P	3/8" X 1/2" X 1/2" P	POLYETHYLENE	.490	.554	.495	.24	.47	1.13	2.44	.360	.420	.69
TT3688/N	3/8" X 1/2" X 1/2" N	NYLON	.500	.555	.495	.25	.49	1.17	2.53	.375	.435	.70

SHOWN

NOTES:

- 1) POLYPROPYLENE HAS COLOR OPTIONS:
 BLACK = TT3688/PPB
 NATURAL = TT3688/PPN

PROPRIETARY AND CONFIDENTIAL
 THE INFORMATION CONTAINED IN THIS DRAWING IS THE SOLE PROPERTY OF THOGUS PRODUCTS COMPANY. ANY REPRODUCTION IN PART OR AS A WHOLE WITHOUT THE WRITTEN PERMISSION OF THOGUS PRODUCTS COMPANY IS PROHIBITED.

REV	WRO#	DESCRIPTION
D	95.00132	CONVERTED TO 3D FORMAT

UNLESS OTHERWISE SPECIFIED:
 DIMENSIONS ARE IN INCHES
 TOLERANCES:
 ANGULAR: ±0.5°
 XX = ± 0.1
 X.XX = ± 0.05
 X.XXX = ± 0.015
 REMOVE ALL SHARP EDGES AND BURRS
 BLEND ALL RADII TO 0.01IN
 INTERPRET GEOMETRIC TOLERANCING PER: ANSI Y 14.5 1994
 MATERIAL: PP, P, N
 FINISH: NA
 THIRD ANGLE PROJECTION:

	NAME	DATE
DRAWN	KDJ	05/25/11
CHECKED	KDJ	05/25/2011
ENG APPR.	JM	05/26/2011
MFG APPR.	ML	05/26/2011
Q.A.	NJW	05/26/2011

Thogus You think it, we can make it...
 33490 PIN OAK, AVON LAKE, OH 44012

TITLE:
3/8" NPT X 1/2" BARB X 1/2" BARB TEE

SIZE B	DWG. NO. TT3688	REV D
------------------	--------------------	-----------------

DO NOT SCALE DRAWING SCALE: 3:2 MASS: SHEET 1 OF 1

8 7 6 5 4 3 2 1