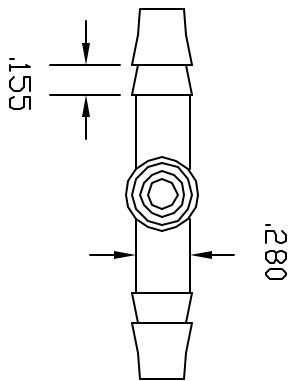
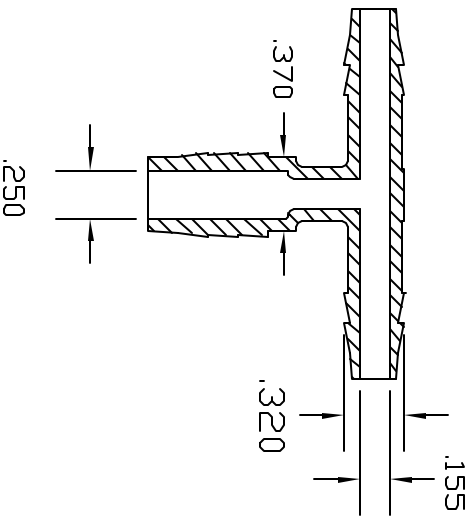
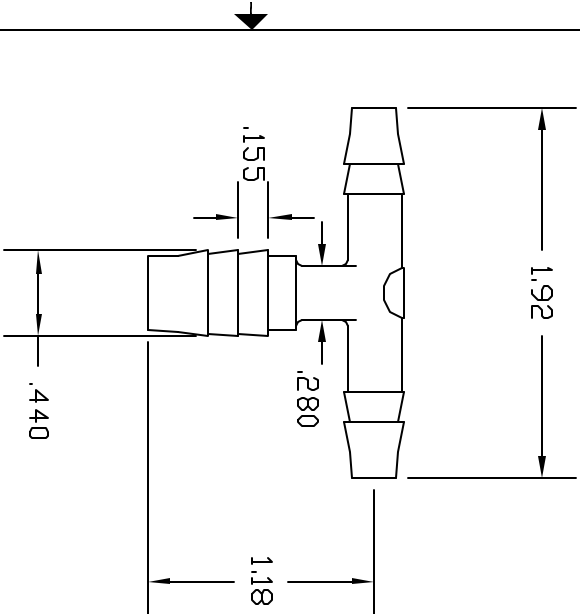


REVISIONS			
REV	DESCRIPTION	DATE	APPROVED
A	RELEASED	5/98	5/98
B	MODIFY BARBS	6/04	6/04
C	UPDATE DWG	9/07	9/07



CONTROLLED DOCUMENT
ONLY IF IN RED

UNLESS OTHERWISE SPECIFIED DIMENSIONS ARE IN INCHES TOLERANCES ARE: DECIMALS .XX +/- .005 ANGLES .XX +/- .010 HOLE DIA +/- .010		Part Name: 3/8 BARB X 1/4 BARB X 1/4 BARB TEE
DRAWN NM	DATE 5/98	THOGUS PRODUCTS 33490 PIN DAK PARKWAY AYDON LAKE OHIO 44012
ITEM NUMBER 9644N	REV C	Part Number 9644/N
MATERIAL NYLON	SHEET 1	of 1