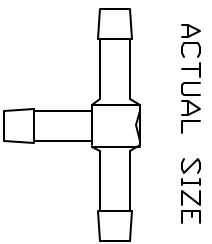
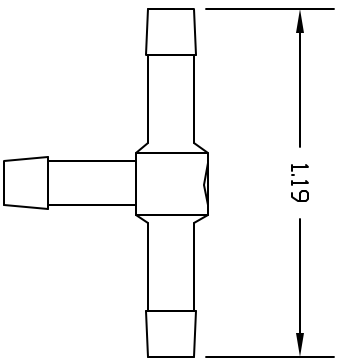
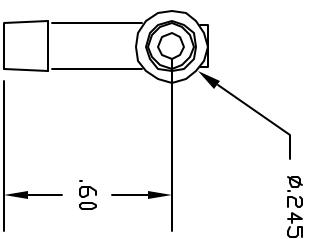
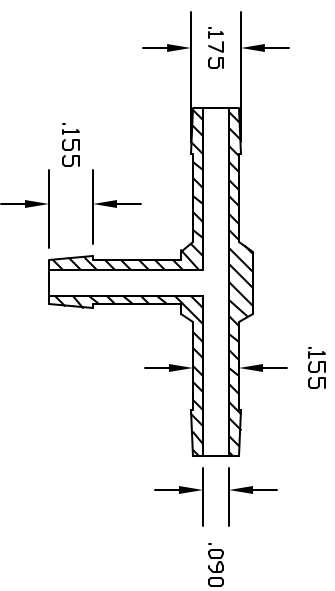


REVISIONS			
REV	DESCRIPTION	DATE	APPROVED
A	DRAWN AND RELEASED	2/98	2/98
B	UPDATE TOOLING	05/04	05/04
C	UPDATE DWG	9/07	9/07



CONTROLLED DOCUMENT  
ONLY IF IN RED

UNLESS OTHERWISE SPECIFIED DIMENSIONS ARE IN INCHES TOLERANCES DECIMALS ANGULARS .XX +/- .05 .XX +/- .015 +/- .05		Part Name: 5/32 BARB X 5/32 BARB X 5/32 BARB TEE	
DESIGNED BY: N.M.	DATE: 2/98	THOGUS PRODUCTS 33490 PIN DAK PARKWAY AYDON LAKE OHIO 44012	
DRAWN BY: N.M.	DATE: 2/98	Part Number: TT 9156/N	REV: C
MATERIAL: NYLON	FINISH: 9156N	SHEET 1	of 1