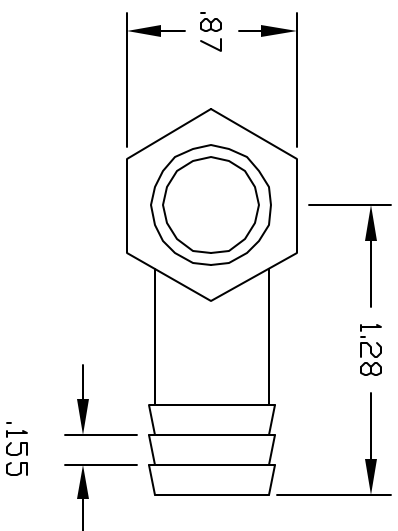
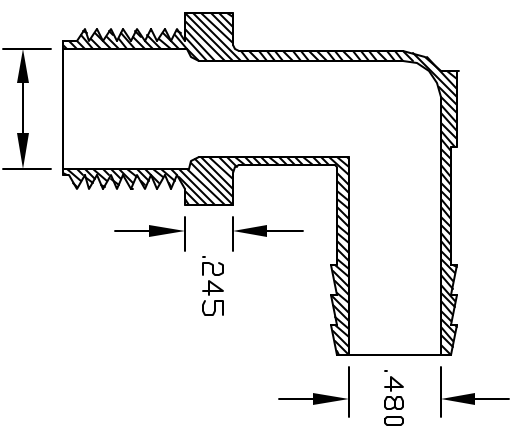
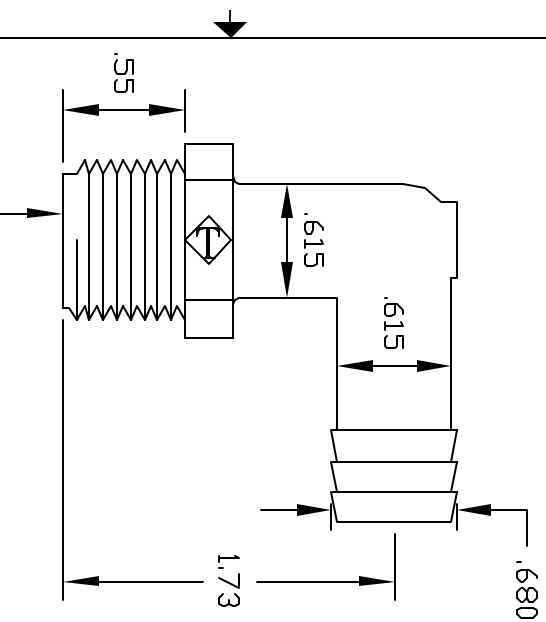


REVISIONS				
ZONE	REV	DESCRIPTION	DATE	APPROVED
	A	REDRAWN & RELEASED	4/97	4/97
	B	DIM 0.590 REMOVED	01/06/2000	BM



COLOR: BLACK (PPB)
NATURAL (PPN)

CONTROLLED DOCUMENT
ONLY IF IN RED

CONFIDENTIAL
THIS PRINT AND THE SPECIFICATIONS ARE THE PROPERTY OF THOGUS PRODUCTS COMPANY AND HAVE BEEN ISSUED WITH THE UNDERSTANDING THAT IT IS TO BE USED FOR THE MANUFACTURE OF THE PARTS AND WILL BE RETURNED UPON REQUEST.

UNLESS OTHERWISE SPECIFIED
DIMENSIONS ARE IN INCHES
TOLERANCES UNLESS SHOWN
XX +/- .05
XXX +/- .015
DRAWN NM DATE
MATERIAL POLYPROPYLENE

Part Name: 1/2NPT X 5/8 BARB ELBOW
Part Number: THOGUS PRODUCTS 33490 PIN DAK PARKWAY AYOON LAKE OHIO 44012
SCALE 1:1
SHEET 1 of 1
REV B

THOGUS PRODUCTS COMPANY, 33490 PIN DAK PARKWAY, AYOON LAKE, OHIO 44012