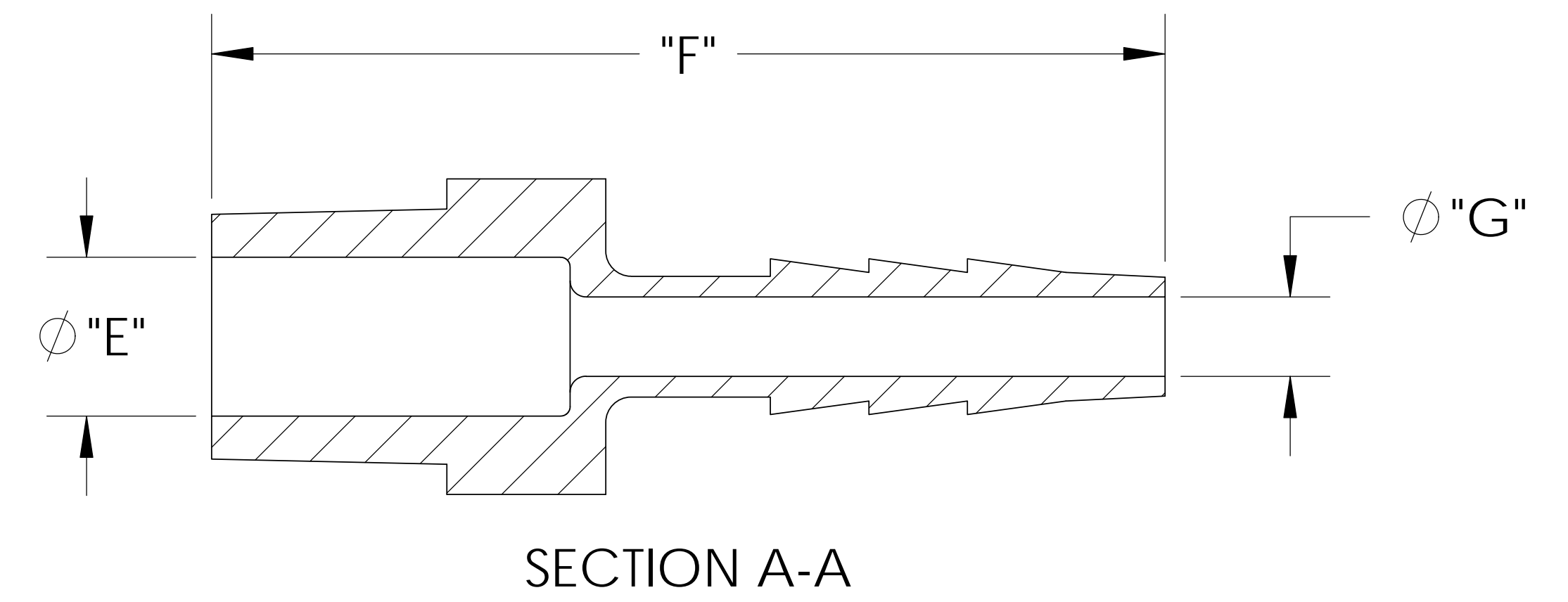
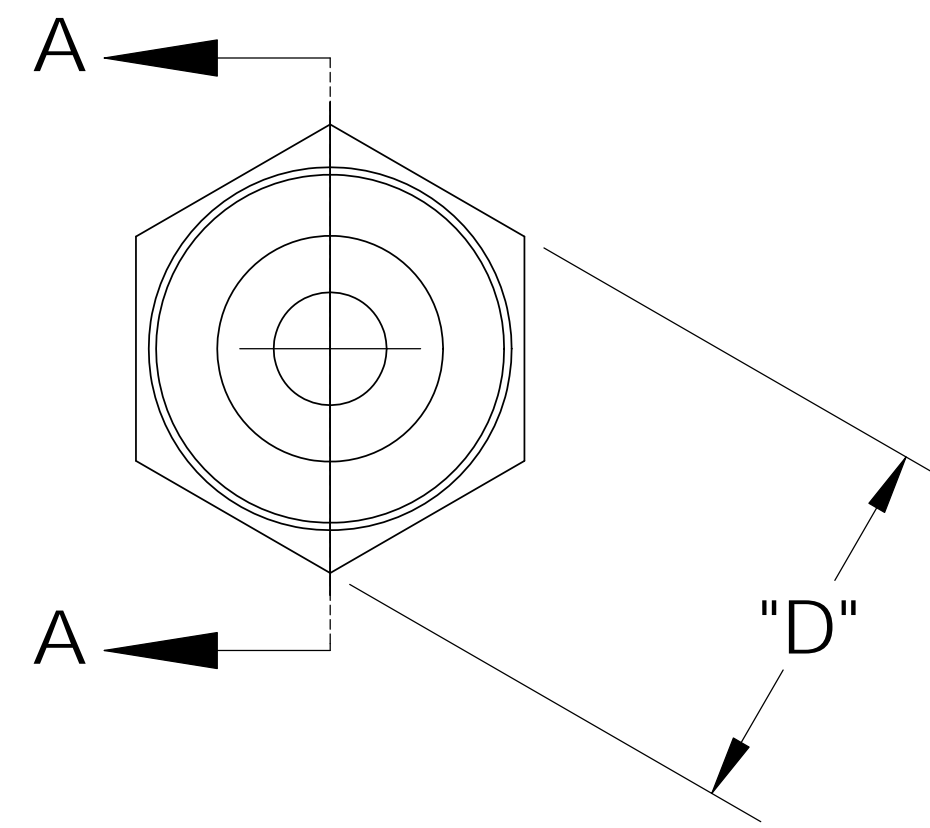
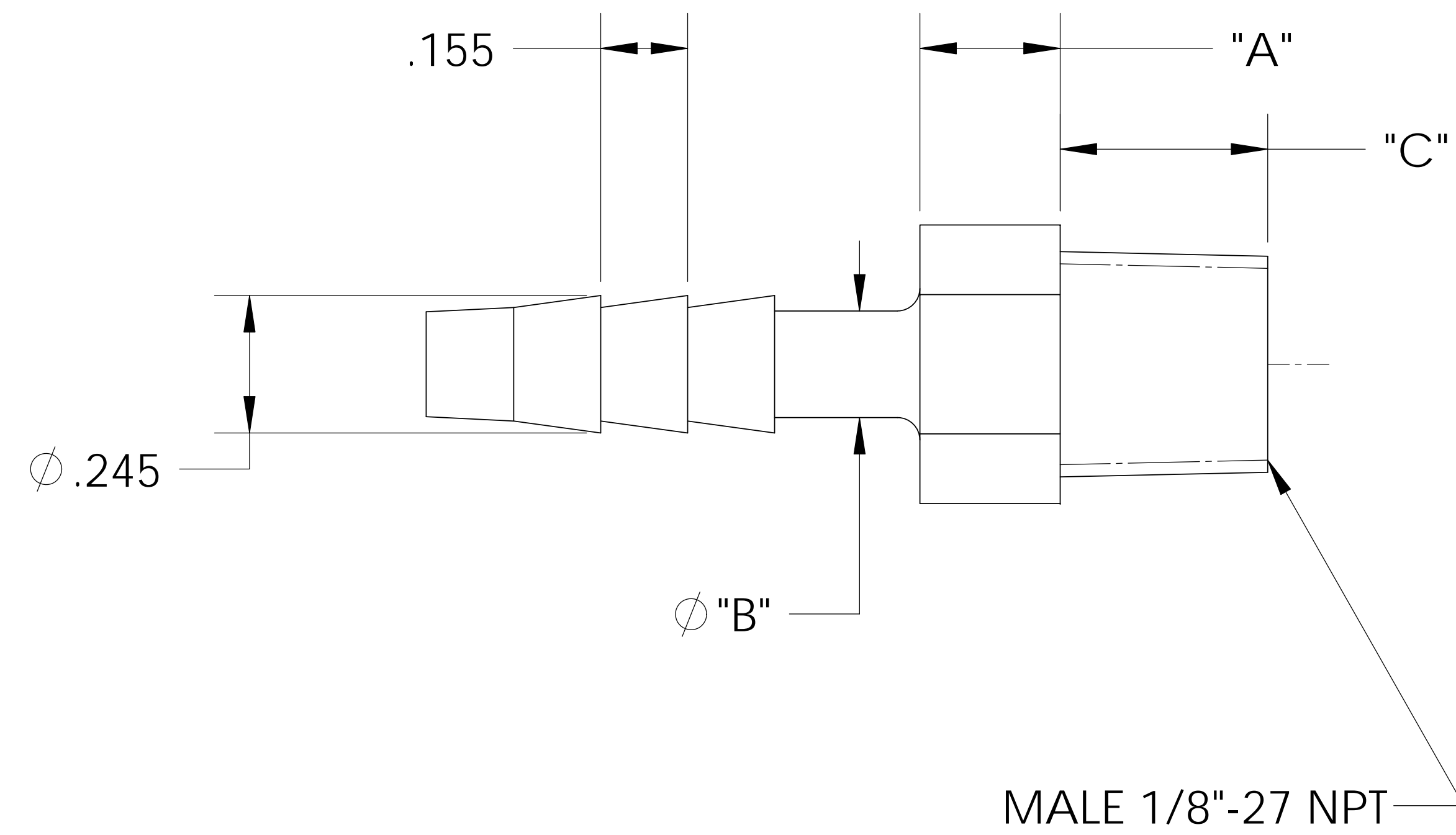
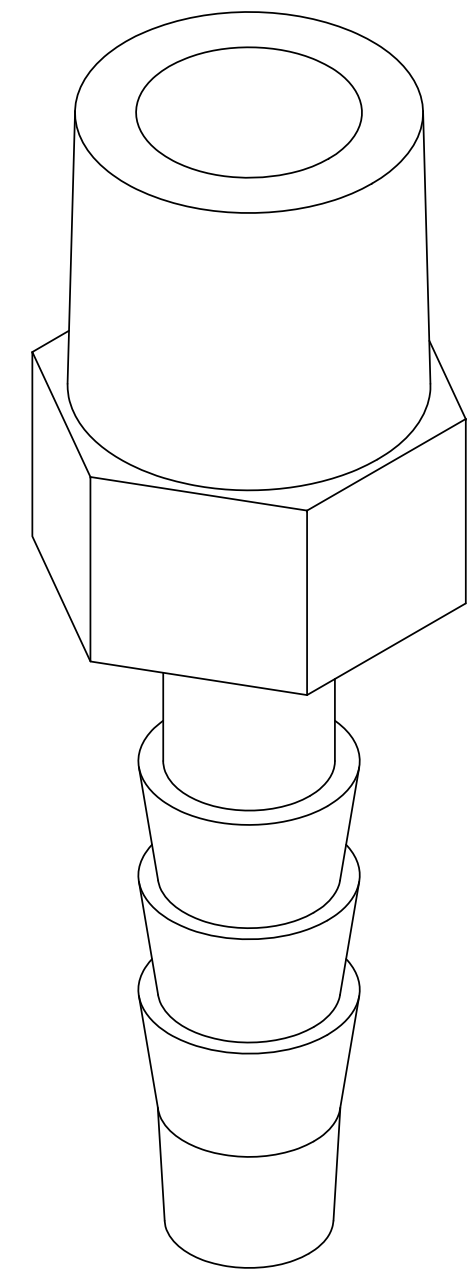


UNCONTROLLED IF PRINTED; CONTROLLED COPY LOCATED IN IQMS DOCUMENT CONTROL



CATALOG NO.	DESCRIPTION	MATERIAL	DIM "A"	DIM "B"	DIM "C"	DIM "D"	DIM "E"	DIM "F"	DIM "G"
TA1023/PP	1/8" NPT X 3/16" PP	POLYPROPYLENE	.250	.190	.375	.43	.245	1.48	.120
TA1023/P	1/8" NPT X 3/16" P	POLYETHYLENE	.245	.185	.36	.42	.245	1.50	.125
TA1023/N	1/8" NPT X 3/16" N	NYLON	.250	.190	.37	.43	.250	1.50	.125

SHOWN

NOTES:


- 1) POLYPROPYLENE HAS COLOR OPTIONS:
 BLACK = TA1023/PPB
 NATURAL = TA1023/PPN

PROPRIETARY AND CONFIDENTIAL
 THE INFORMATION CONTAINED IN THIS DRAWING IS THE SOLE PROPERTY OF THOGUS PRODUCTS COMPANY. ANY REPRODUCTION IN PART OR AS A WHOLE WITHOUT THE WRITTEN PERMISSION OF THOGUS PRODUCTS COMPANY IS PROHIBITED.

REV	WRO#	DESCRIPTION
D	95.00072	CONVERTED TO 3D FORMAT
HISTORY		

UNLESS OTHERWISE SPECIFIED:
 DIMENSIONS ARE IN INCHES
 TOLERANCES:
 ANGULAR: $\pm 0.5^\circ$
 X.X = ± 0.1
 X.XX = ± 0.05
 X.XXX = ± 0.015
 REMOVE ALL SHARP EDGES AND BURRS
 BLEND ALL RADII TO 0.01IN
 INTERPRET GEOMETRIC TOLERANCING PER: ANSI Y 14.5 1994
 MATERIAL: PP, P, N
 FINISH: NA
 THIRD ANGLE PROJECTION:

	NAME	DATE
DRAWN	JRM	03/17/11
CHECKED	KDJ	3/17/11
ENG APPR.	JM	3/18/11
MFG APPR.	ML	3/18/11
Q.A.	NJW	3/18/11


Thogus You think it, we can make it...
 33490 PIN OAK, AVON LAKE, OH 44012

TITLE: **1/8" NPT X 3/16" BARB ADAPTER**

SIZE B	DWG. NO. TA1023	REV D
SCALE: 2:1	MASS:	SHEET 1 OF 1

DO NOT SCALE DRAWING