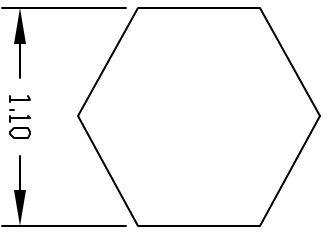
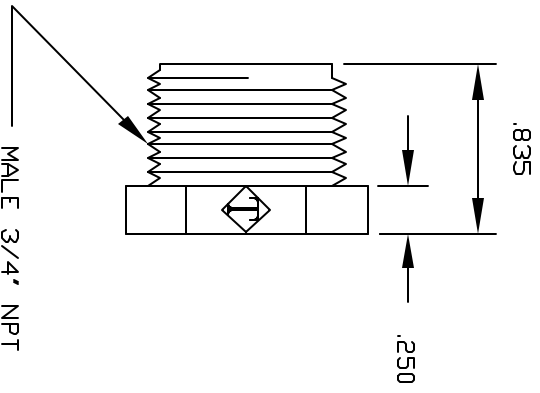
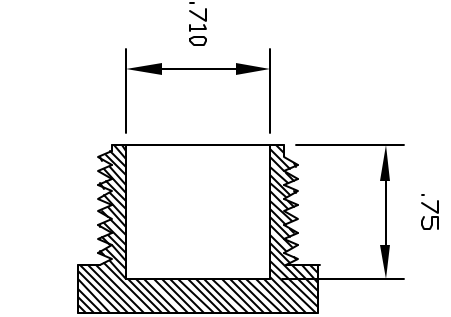


REVISIONS			
REV	DESCRIPTION	DATE	APPROVED
A	REDRAWN & RELEASED	1/98	1/98
B	UPDATE DWG	9/07	9/07



UNLESS OTHERWISE SPECIFIED DIMENSIONS ARE IN INCHES DECIMAL TOLERANCES XX +/- .05 XXX +/- .015		Part Name: <b>3/4NPT PLUG</b>
DRAWN <b>NM</b>	DATE <b>1/98</b>	Part Number <b>TP4012/P</b>
MATERIAL <b>POLYETHYLENE</b>	FINISH <b>4012P</b>	REV <b>B</b>
THIS PRINT AND THE SPECIFICATIONS ARE THE PROPERTY OF THOGUS PRODUCTS COMPANY AND HAVE BEEN ISSUED WITH THE UNDERSTANDING THAT THEY ARE TO BE USED FOR THE MANUFACTURE FOR OTHERS AND WILL BE RETURNED UPON REQUEST.		33490 PIN DAK PARKWAY AYOON LAKE OHIO 44012
SHEET <b>1</b> OF <b>1</b>		

CONTROLLED DOCUMENT  
 ONLY IF IN RED