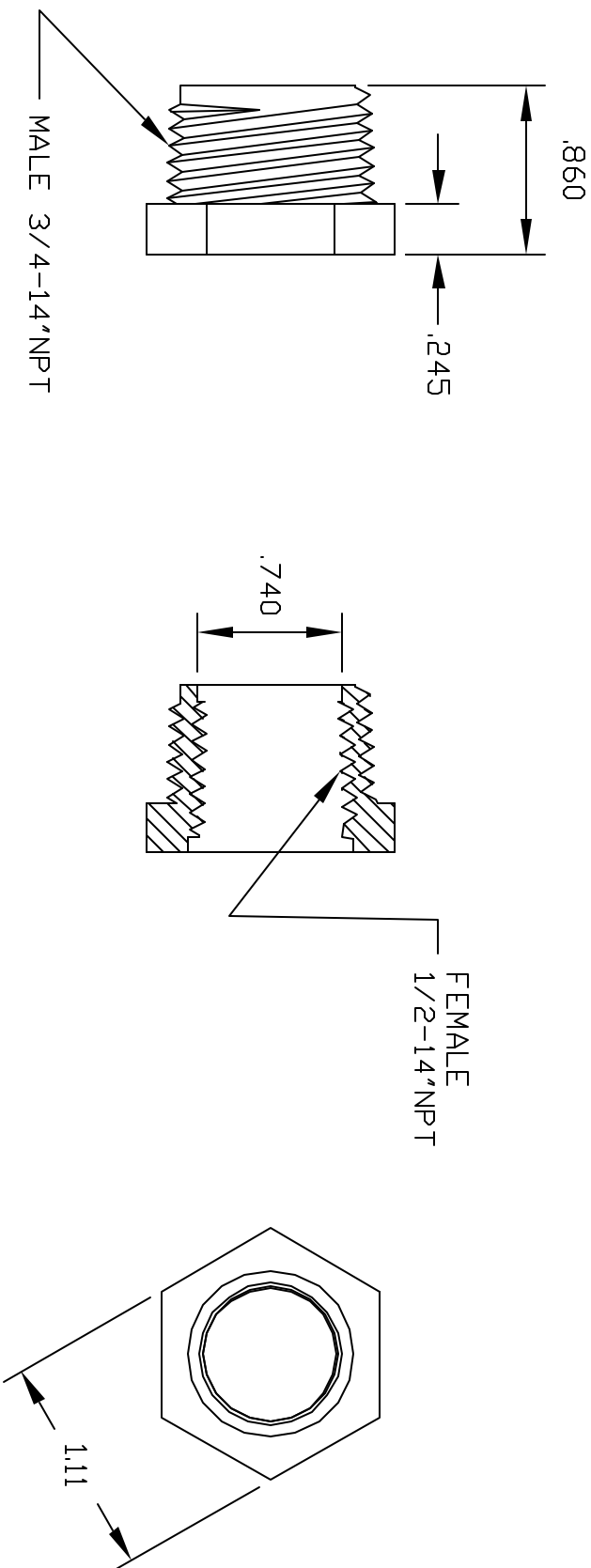


REV	DESCRIPTION	DATE	APPROVED
A	DRAWN	05/02	05/02
B	UPDATE DWG	9/07	9/07



CONTROLLED DOCUMENT  
ONLY IF IN RED

**EXEMPT**  
THIS PRINT AND THE SPECIFICATIONS ARE HEREBY RELEASED TO THE PUBLIC. PRODUCTS DENIED AND HAVE BEEN ISSUED WITH THE UNDERSTANDING THAT IT WILL NOT BE REPRODUCED, REVEALED TO OR USED FOR THE MANUFACTURE FOR OTHERS AND WILL BE RETURNED UPON REQUEST.

UNLESS OTHERWISE SPECIFIED DIMENSIONS ARE IN INCHES		PART NAME: 3/4NPT MALE X 1/2NPT FEMALE	
DECIMALS	TOLERANCES	REDUCER BUSHING	
XXX.XX	±.05	33490 PIN OAK PARKWAY	
XXX.XXX	±.05	AVON LAKE OHIO 44012	
DRAWN	DATE	PART NUMBER	REV
BM	5/02	TRB3412/PPB	B
MATERIAL			
POLYPROPYLENE BLACK			
SHEET 1		OF 1	