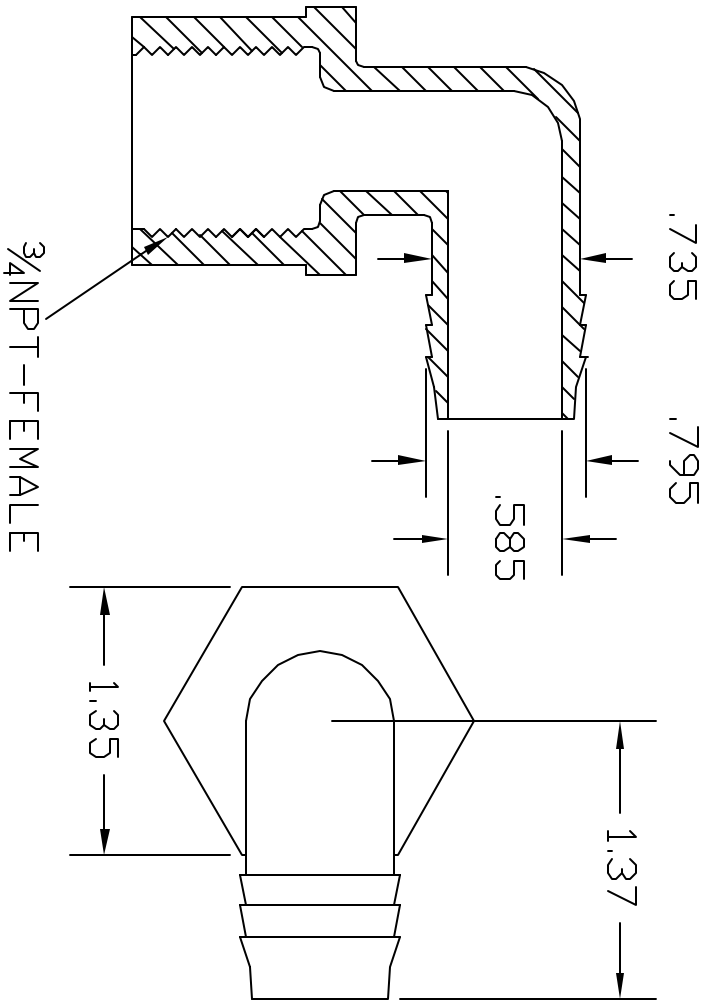
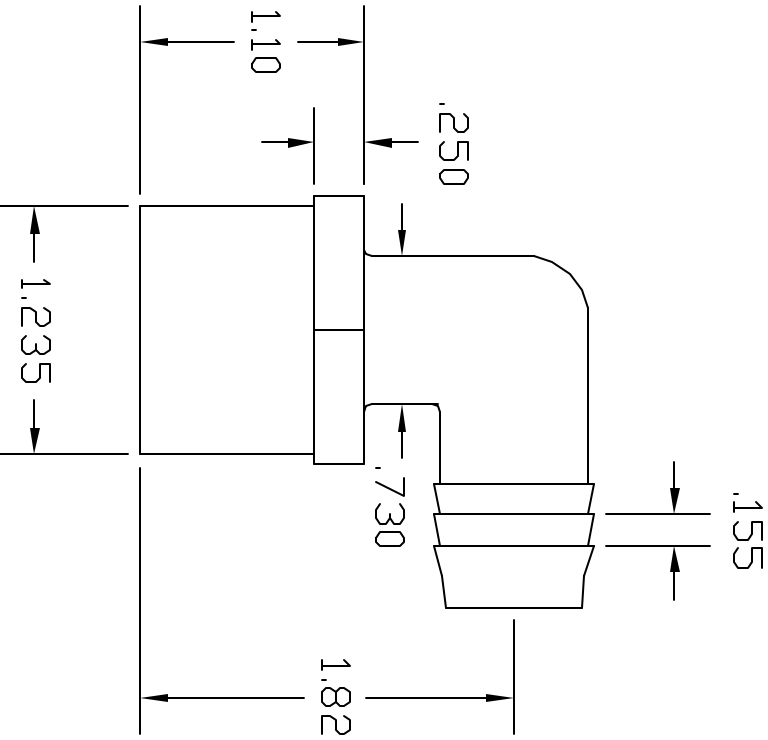


REV	DESCRIPTION	DATE	APPROVED
A	REDRAWN AND RELEASED	1/98	1/98
B	MODIFY BARB & HEX	01/30/06	01/30/06



CONTROLLED DOCUMENT
ONLY IF IN RED

CONFIDENTIAL

THIS PRINT AND THE SPECIFICATIONS ARE THE PROPERTY OF THOGUS PRODUCTS COMPANY AND HAVE BEEN ISSUED WITH THE UNDERSTANDING THAT IT WILL NOT BE REPRODUCED, REVEALED TO OR USED FOR THE MANUFACTURE FOR OTHERS AND WILL BE RETURNED UPON REQUEST. ♦

UNLESS OTHERWISE SPECIFIED
DIMENSIONS ARE IN INCHES
TOLERANCES
DECIMALS
XX +/- .05
XXX +/- .015
ANGULAR
+/- .05

DRAWN **BM** | DATE 1/12/06

Material: TEF201212PPB

MATERIAL POLYPROPYLENE BLK

PART NAME: 3/4-14NPT X 3/4 HOSE BARB
FEMALE ELBOW

THOGUS PRODUCTS 33597 PIN OAK PARKWAY
AVON LAKE OHIO 44012

PART NUMBER TEF201212/PPB

SCALE 1:1 | SHEET 1 OF 1

REV **B**