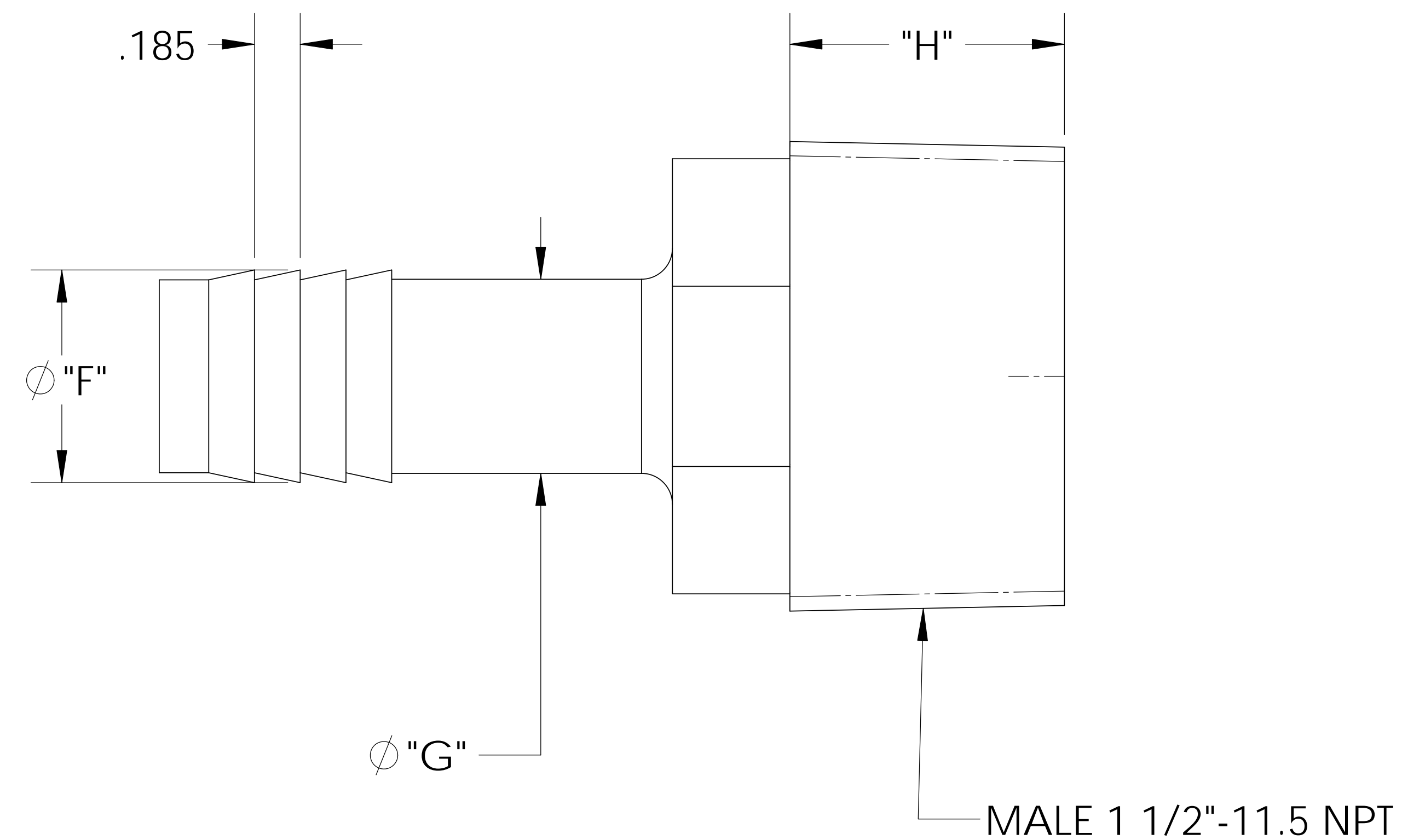
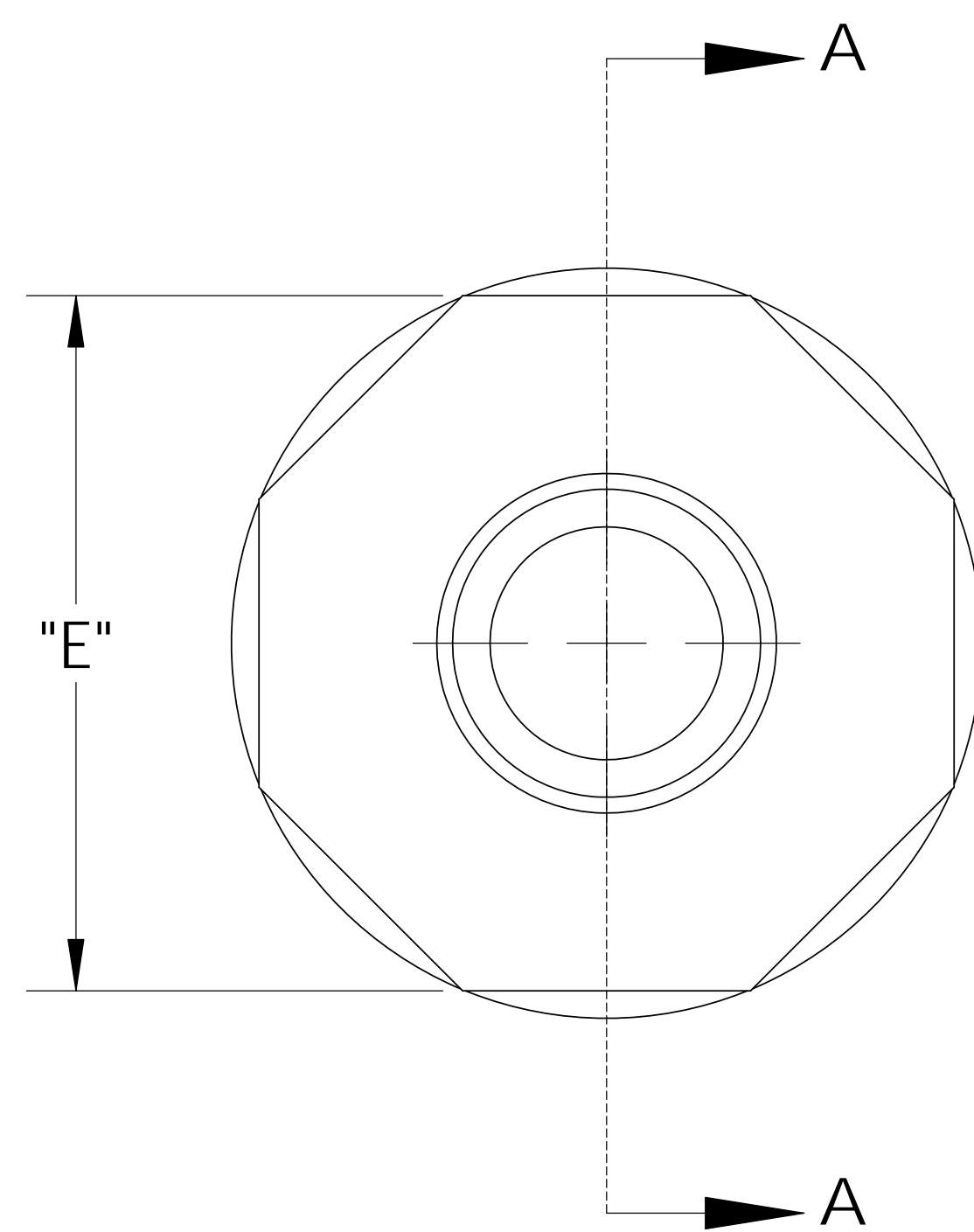


SECTION A-A



| CATALOG NO.      | DESCRIPTION          | MATERIAL      | DIM "A" | DIM "B" | DIM "C" | DIM "D" | DIM "E" | DIM "F" | DIM "G" | DIM "H" |
|------------------|----------------------|---------------|---------|---------|---------|---------|---------|---------|---------|---------|
| TA102412/PP      | 1 1/2" NPT X 3/4" PP | POLYPROPYLENE | 1.475   | .465    | 3.61    | .585    | 1.74    | .850    | .775    | 1.10    |
| SHOWN TA102412/N | 1 1/2" NPT X 3/4" N  | NYLON         | 1.485   | .475    | 3.66    | .590    | 1.76    | .860    | .785    | 1.11    |

NOTES:


- 1) POLYPROPYLENE HAS COLOR OPTIONS:  
 BLACK = TA102412/PPB  
 NATURAL = TA102412/PPN

**PROPRIETARY AND CONFIDENTIAL**  
 THE INFORMATION CONTAINED IN THIS DRAWING IS THE SOLE PROPERTY OF THOGUS PRODUCTS COMPANY. ANY REPRODUCTION IN PART OR AS A WHOLE WITHOUT THE WRITTEN PERMISSION OF THOGUS PRODUCTS COMPANY IS PROHIBITED.

| REV     | WRO#     | DESCRIPTION            |
|---------|----------|------------------------|
| C       | 95.00072 | CONVERTED TO 3D FORMAT |
| HISTORY |          |                        |

UNLESS OTHERWISE SPECIFIED:  
 DIMENSIONS ARE IN INCHES  
 TOLERANCES:  
 ANGULAR: ±0.5°  
 XX = ± 0.1  
 X.XX = ± 0.05  
 X.XXX = ± 0.015  
 REMOVE ALL SHARP EDGES AND BURRS  
 BLEND ALL RADII TO 0.01IN  
 INTERPRET GEOMETRIC TOLERANCING PER: ANSI Y 14.5 1994  
 MATERIAL: PP, N  
 FINISH: NA  
 THIRD ANGLE PROJECTION:

|           | NAME | DATE     |
|-----------|------|----------|
| DRAWN     | JRM  | 03/22/11 |
| CHECKED   | KDJ  | 3/22/11  |
| ENG APPR. |      | XX/XX/XX |
| MFG APPR. |      | XX/XX/XX |
| Q.A.      |      | XX/XX/XX |
| COMMENTS: |      |          |

  
**Thogus** You think it, we can make it...  
 33490 PIN OAK, AVON LAKE, OH 44012  
 TITLE: **1 1/2" NPT X 3/4" BARB ADAPTER**

|               |                          |              |
|---------------|--------------------------|--------------|
| SIZE <b>B</b> | DWG. NO. <b>TA102412</b> | REV <b>C</b> |
| SCALE: 1:1    | MASS:                    | SHEET 1 OF 1 |

DO NOT SCALE DRAWING