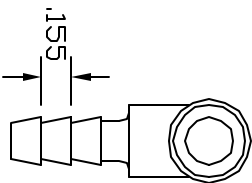
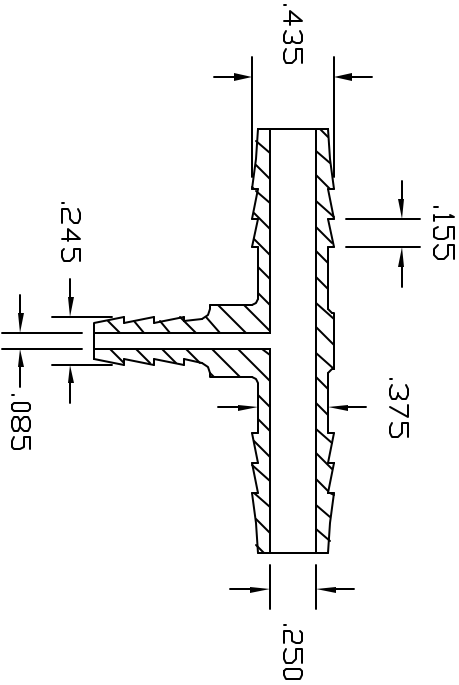
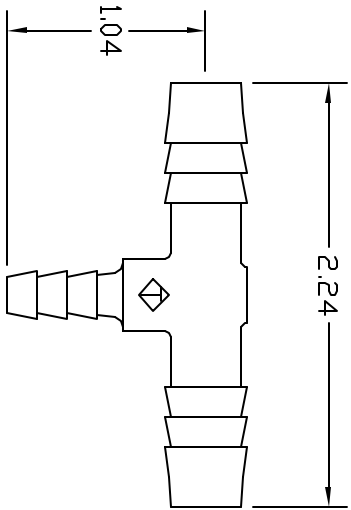


REVISIONS			
REV	DESCRIPTION	DATE	APPROVED
A	DRAWN	6/00	6/00
B	MODIFY BARBS	3/07	3/07
C	UPDATE DWG	9/07	9/07



CONVENTIONAL  
 THIS PRINT AND THE SPECIFICATIONS  
 PRODUCTS COMPANY AND HAVE BEEN  
 ISSUED WITH THE UNDERSTANDING THAT  
 IT WILL NOT BE REPRODUCED, THE  
 NAME OF THIS FIRM, OTHERS, AND WILL  
 BE RETURNED.

UNLESS OTHERWISE SPECIFIED		PART NAME	
DIMENSIONS	IN DECIMALS	3/16 BARB X 3/8 BARB X 3/8 BARB TEE	
TOLERANCES	ANGULAR		
XXX +/- .005	+/- .015		
DRAWN	DATE		
NM	4/98		
MATERIAL	NYLON		
THOGUS PRODUCTS		33490 PIN DAK PARKWAY	
AVON LAKE OHIO 44012			
PART NUMBER		REV	
TT9366/N		C	
SHEET 1 OF 1			

CONTROLLED DOCUMENT  
 ONLY IF IN RED