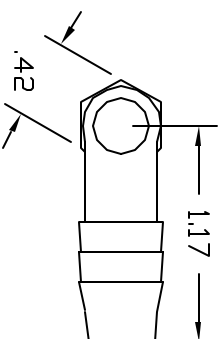
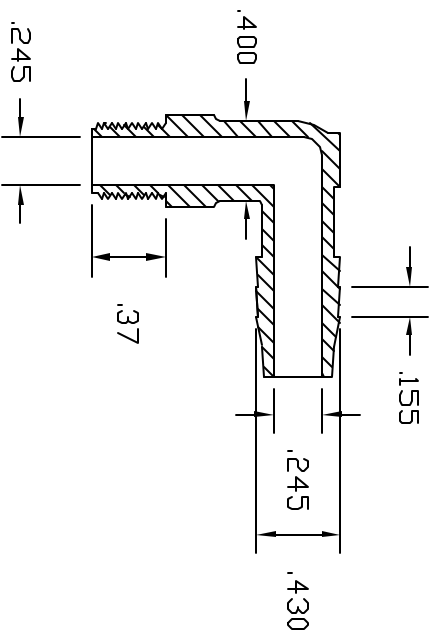
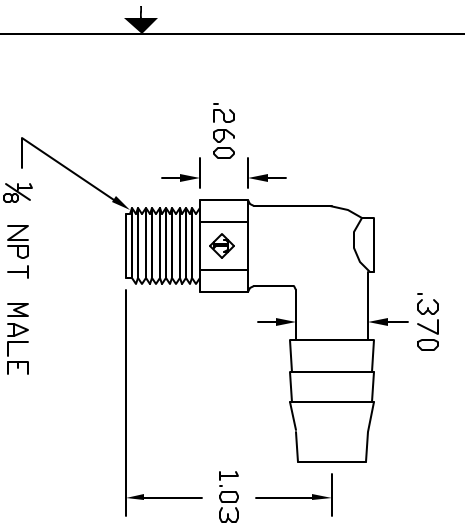


REVISIONS			
REV	DESCRIPTION	DATE	APPROVED
A	REDRAWN & RELEASED	11/97	11/97
B	MODIFY BARB-TEMP	12/02	12/02



CONTROLLED DOCUMENT
ONLY IF IN RED

COLOR: BLACK (PPB)

NATURAL (PPN)

CONFIDENTIAL
THIS PRINT AND THE SPECIFICATIONS ARE THE PROPERTY OF THOGUS PRODUCTS COMPANY AND HAVE BEEN ISSUED WITH THE UNDERSTANDING THAT RECEIVERS WILL NOT REPRODUCE, REVEAL OR USE THE INFORMATION FOR OTHERS AND WILL BE RETURNED UPON REQUEST.

UNLESS OTHERWISE SPECIFIED DIMENSIONS ARE IN INCHES	
DECIMALS	FRACTIONS
XX +/- .05	1/2
XXX +/- .015	1/4
DRAWN	DATE
NM	11/97
DESIGNED BY	DATE
2026PP	
MATERIAL	
POLYPROPYLENE	

Part Number	1/8NPT X 3/8 BARB ELBOW
THOGUS PRODUCTS	33490 PIN DAK PARKWAY AYDON LAKE OHIO 44012
Part Number	TE2026/PP
SCALE	1:1
SHEET	1 of 1

THE INFORMATION CONTAINED HEREIN IS UNCLASSIFIED