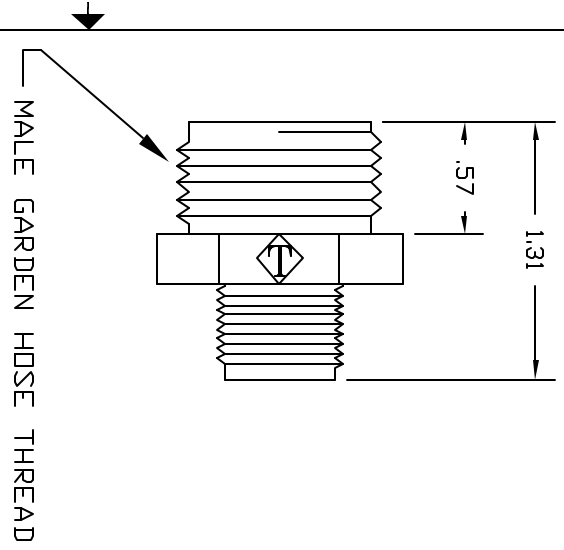
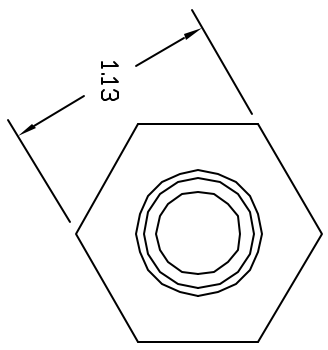
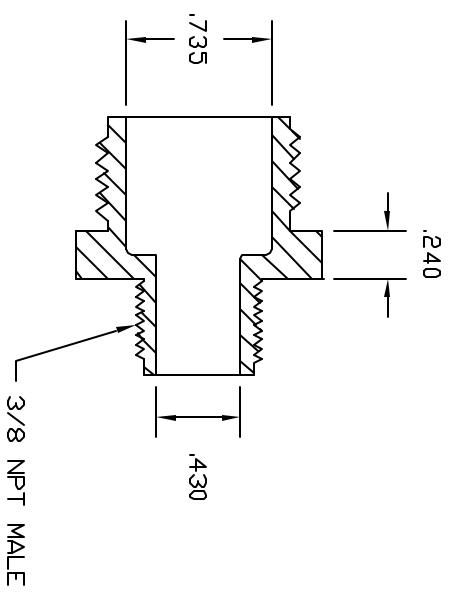


REVISIONS			
REV	DESCRIPTION	DATE	APPROVED
A	DRAWN & RELEASED	1/98	1/98
B	UPDATE DWG	9/07	9/07



MALE GARDEN HOSE THREAD

CONTROLLED DOCUMENT  
ONLY IF IN RED

**CONFIDENTIAL**  
THIS PRINT AND THE SPECIFICATIONS ARE THE PROPERTY OF THOGUS PRODUCTS COMPANY AND HAVE BEEN ISSUED WITH THE UNDERSTANDING THAT REVEALING THE IDENTIFICATION OF THE MANUFACTURE FOR OTHERS AND WILL BE RETURNED UPON REQUEST.

UNLESS OTHERWISE SPECIFIED DIMENSIONS ARE IN INCHES	
DECIMALS	MILLAR
XX	+/-.05
XXX	+/-.015
DRAWN	NM
CHECKED	
DATE	1/98
MATERIAL	POLYPROPYLENE BLACK

Part Number	3/8 NPT X GARDEN HOSE THREAD NIPPLE	
THOGUS PRODUCTS	33490 PIN DAK PARKWAY AYDON LAKE OHIO 44012	
Part Number	GP6/PPB	REV B
SHEET	1	of 1