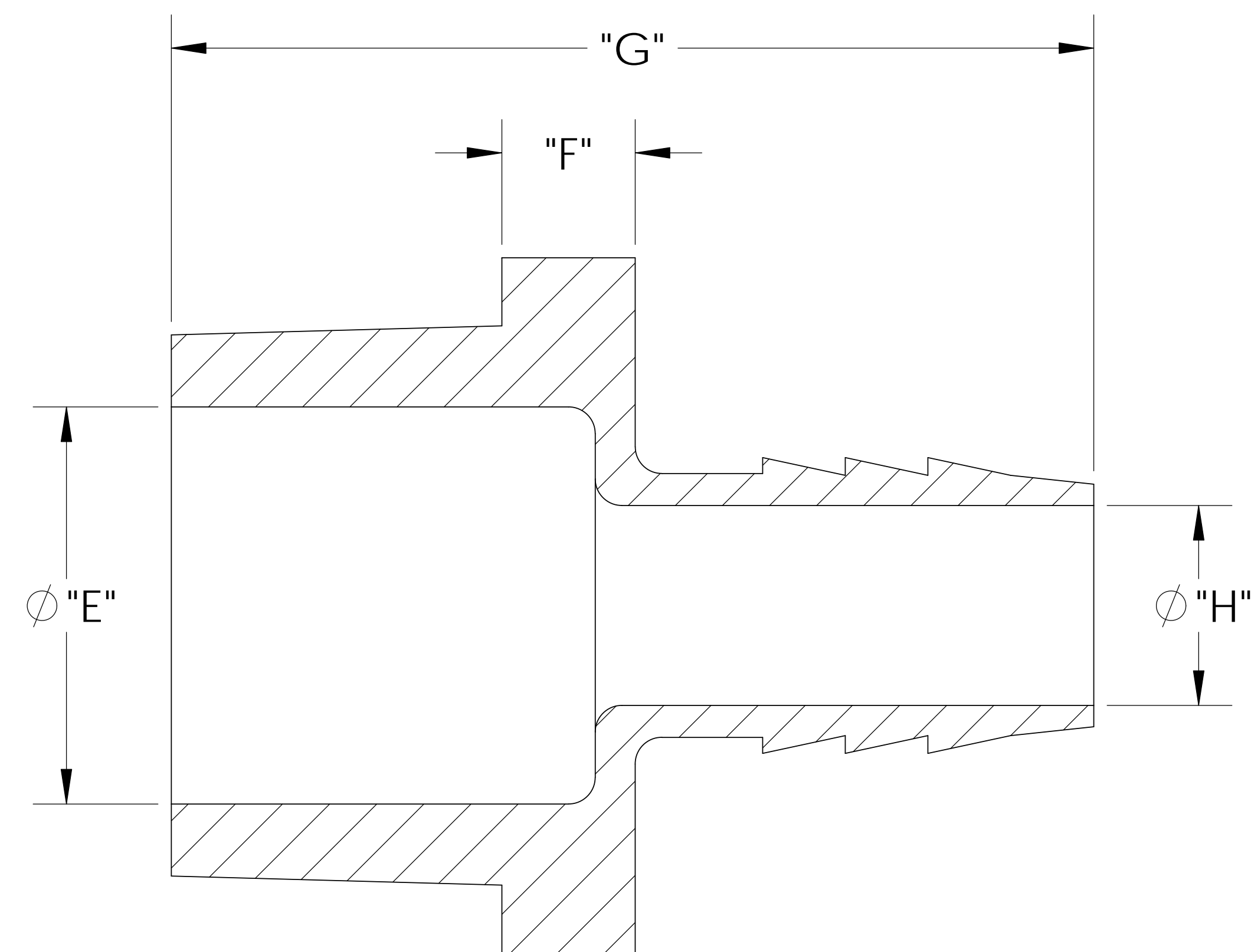
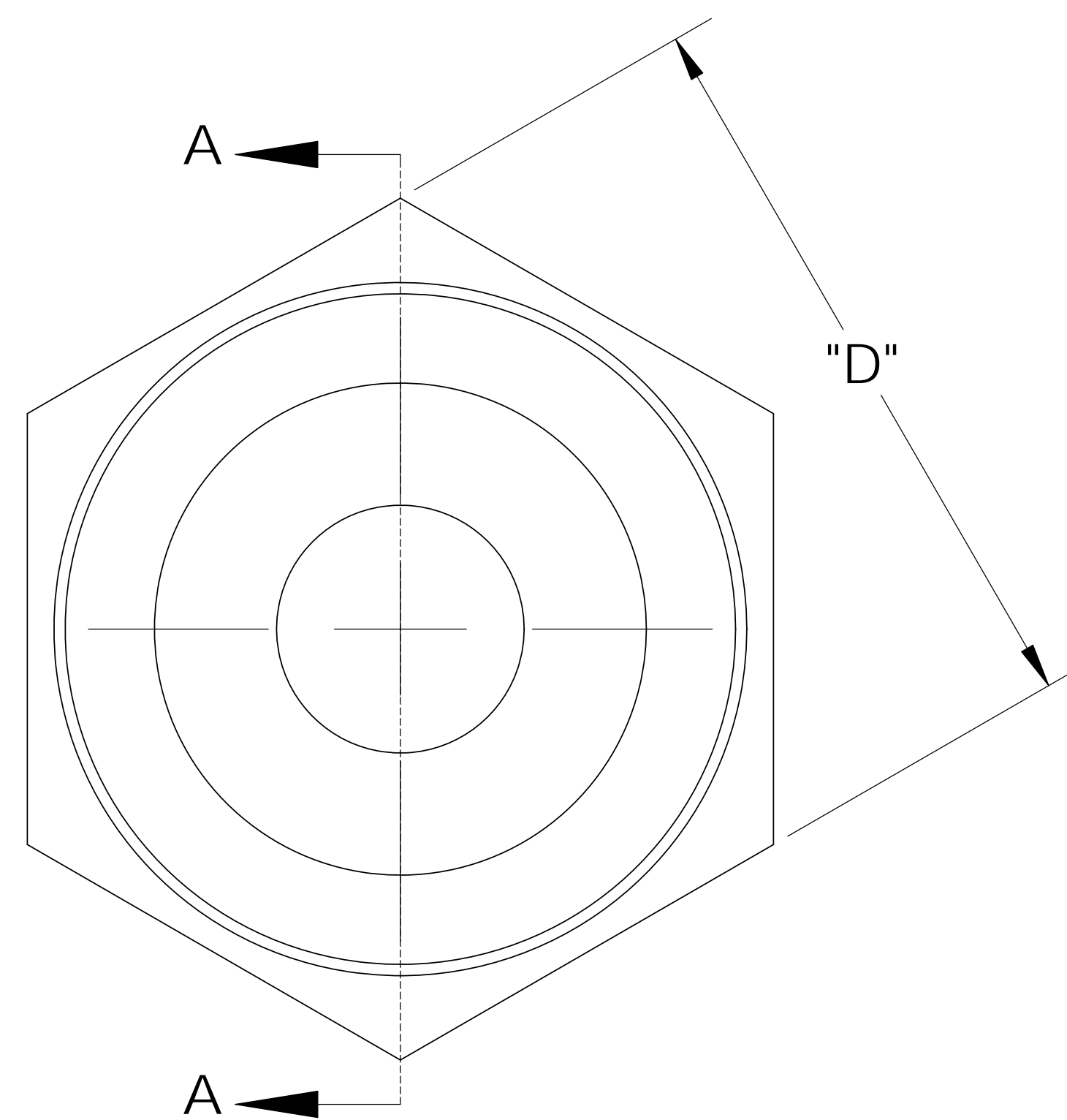
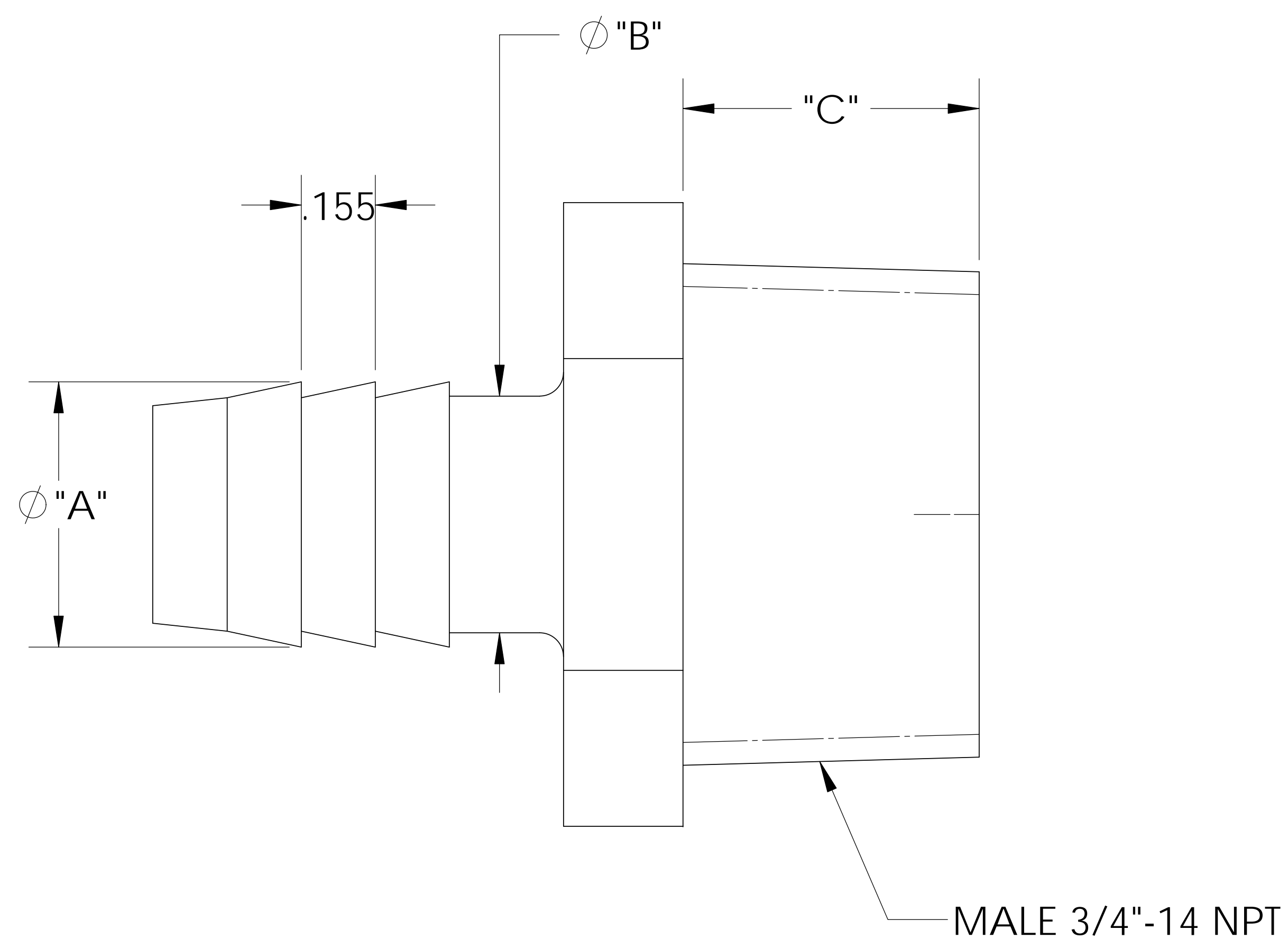
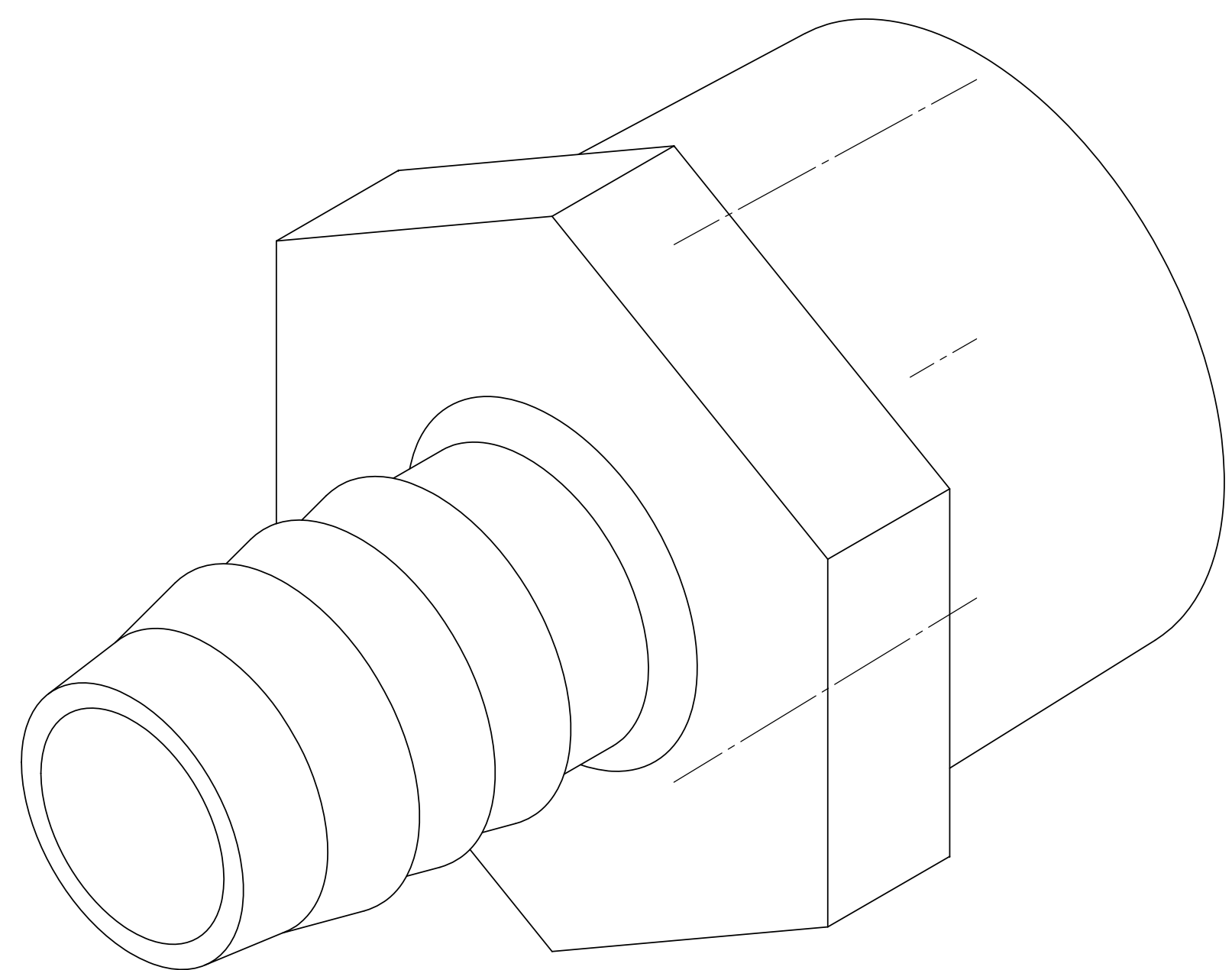


UNCONTROLLED IF PRINTED; CONTROLLED COPY LOCATED IN IQMS DOCUMENT CONTROL



SECTION A-A

CATALOG NO.	DESCRIPTION	MATERIAL	DIM "A"	DIM "B"	DIM "C"	DIM "D"	DIM "E"	DIM "F"	DIM "G"	DIM "H"
TA10128/PP	3/4" NPT X 1/2" PP	POLYPROPYLENE	.545	.490	.61	1.12	.735	.250	1.70	.365
TA10128/P	3/4" NPT X 1/2" P	POLYETHYLENE	.550	.495	.58	1.11	.710	.250	1.67	.365
TA10128/N	3/4" NPT X 1/2" N	NYLON	.55	.495	.62	1.13	.745	.250	1.73	.375

SHOWN

NOTES:

- 1) POLYPROPYLENE HAS COLOR OPTIONS:
BLACK = TA10128/PPB
NATURAL = TA10128/PPN

PROPRIETARY AND CONFIDENTIAL
THE INFORMATION CONTAINED IN THIS DRAWING IS THE SOLE PROPERTY OF THOGUS PRODUCTS COMPANY. ANY REPRODUCTION IN PART OR AS A WHOLE WITHOUT THE WRITTEN PERMISSION OF THOGUS PRODUCTS COMPANY IS PROHIBITED.

REV	WRO#	DESCRIPTION
D	95.00072	CONVERTED TO 3D FORMAT
HISTORY		

UNLESS OTHERWISE SPECIFIED:
DIMENSIONS ARE IN INCHES
TOLERANCES:
ANGULAR: $\pm 0.5^\circ$
XX = ± 0.1
XXX = ± 0.05
X.XXX = ± 0.015
REMOVE ALL SHARP EDGES AND BURRS
BLEND ALL RADII TO 0.01IN
INTERPRET GEOMETRIC TOLERANCING PER: ANSI Y 14.5 1994
MATERIAL: PP, P, N
FINISH: NA
THIRD ANGLE PROJECTION:

	NAME	DATE
DRAWN	JRM	03/18/11
CHECKED	KDJ	03/18/11
ENG APPR.	JM	3/18/11
MFG APPR.	ML	3/19/11
Q.A.	NJW	3/19/11

Thogus You think it, we can make it...
33490 PIN OAK, AVON LAKE, OH 44012

TITLE: **3/4" NPT X 1/2" BARB ADAPTER**

SIZE B	DWG. NO. TA10128	REV D
SCALE: 2:1	MASS:	SHEET 1 OF 1

DO NOT SCALE DRAWING