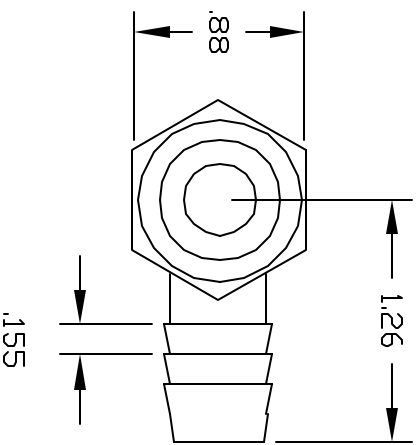
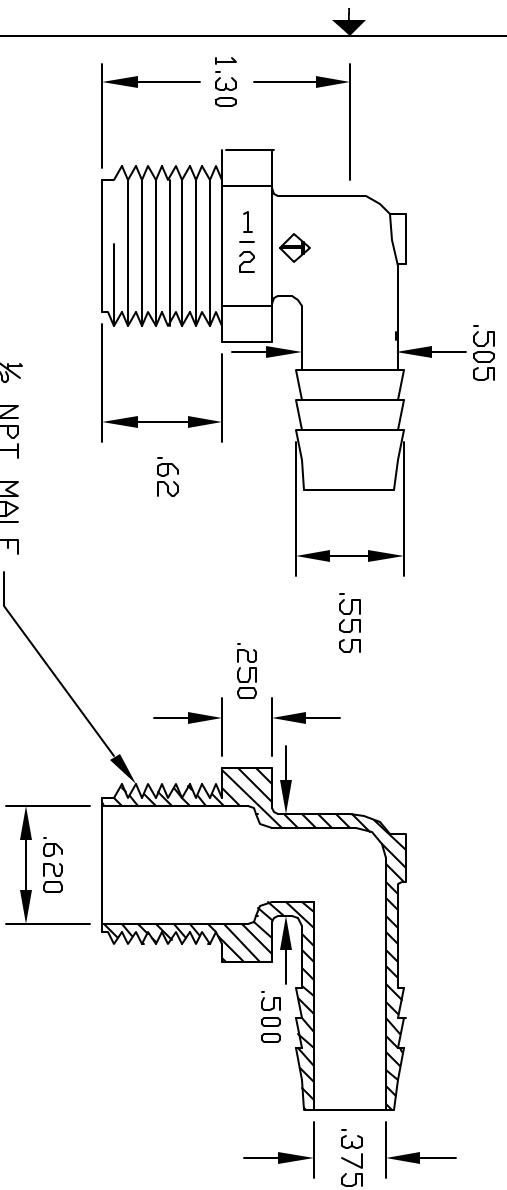


REV	DESCRIPTION	DATE	APPROVED
A	REDRAWN & RELEASED	5/98	5/98
B	LEAD BARB	7/99	7/99
D	UPDATE DWG	9/07	9/07



CONTROLLED DOCUMENT
ONLY IF IN RED

CONFIDENTIAL
THIS PRINT AND THE SPECIFICATIONS ARE THE PROPERTY OF THOGUS PRODUCTS COMPANY AND HAVE BEEN ISSUED WITH THE UNDERSTANDING THAT IT IS TO BE KEPT FOR THE MANUFACTURE FOR OTHERS AND WILL BE RETURNED UPON REQUEST.

UNLESS OTHERWISE SPECIFIED DIMENSIONS ARE IN INCHES	Part Name	1/2NPT X 1/2 BARB	ELBDW
TOLERANCES	DRAWN	MS	DATE
XX +/- .05	DATE	5/98	
XXX +/- .015	Part Number	TE2088/N	REV
	Part Number	TE2088/N	1
	Scale	1:1	SHEET 1 of 1
	Part Name	1/2NPT X 1/2 BARB	ELBDW
	Part Number	TE2088/N	REV
	Part Number	TE2088/N	1
	Scale	1:1	SHEET 1 of 1
	Part Name	1/2NPT X 1/2 BARB	ELBDW
	Part Number	TE2088/N	REV
	Part Number	TE2088/N	1
	Scale	1:1	SHEET 1 of 1
	Part Name	1/2NPT X 1/2 BARB	ELBDW
	Part Number	TE2088/N	REV
	Part Number	TE2088/N	1
	Scale	1:1	SHEET 1 of 1

THOGUS PRODUCTS 33490 PIN DAK PARKWAY AYOON LAKE OHIO 44012