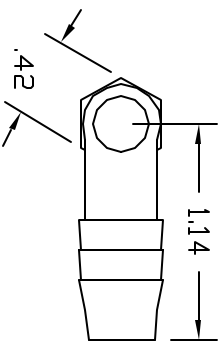
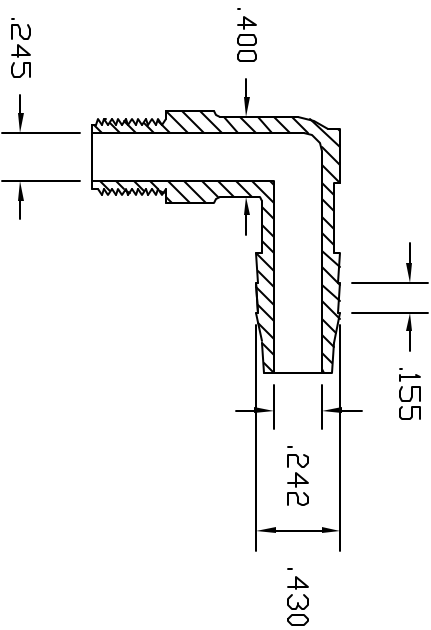
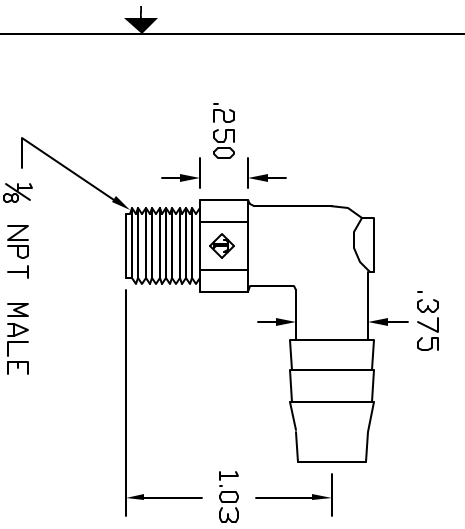


REVISIONS			
REV	DESCRIPTION	DATE	APPROVED
A	REDRAWN & RELEASED	11/97	11/97
B	MODIFY BARB-TEMP	12/02	12/02



CONTROLLED DOCUMENT  
ONLY IF IN RED

CONFIDENTIAL  
THIS PRINT AND THE SPECIFICATIONS ARE THE PROPERTY OF THOGUS PRODUCTS COMPANY AND HAVE BEEN ISSUED WITH THE UNDERSTANDING THAT REPRODUCTION OF THE INFORMATION REVEALED TO THE USER FOR THE MANUFACTURE FOR OTHERS AND WILL BE RETURNED UPON REQUEST.

UNLESS OTHERWISE SPECIFIED DIMENSIONS ARE IN INCHES	
DECIMALS	FRACTIONS
XX +/- .05	1/4
XXX +/- .015	1/8
DRAWN	DATE
NM	11/97
MATERIAL	Part Number
POLYETHYLENE	TE2026/P

Part Number	1/8NPT X 3/8 BARB ELBOW
Part Number	TE2026/P
Scale	1:1
Sheet	1 of 1
<b>THOGUS PRODUCTS</b> 33490 PIN DAK PARKWAY AYOON LAKE OHIO 44012	