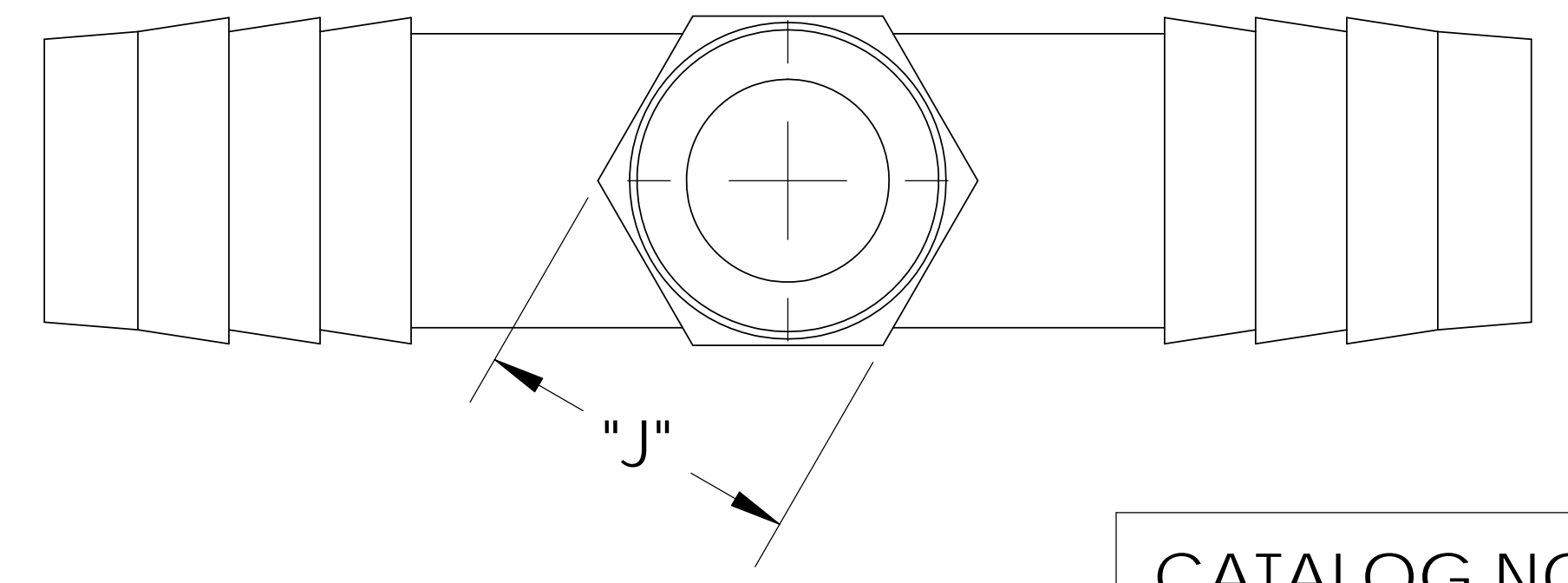
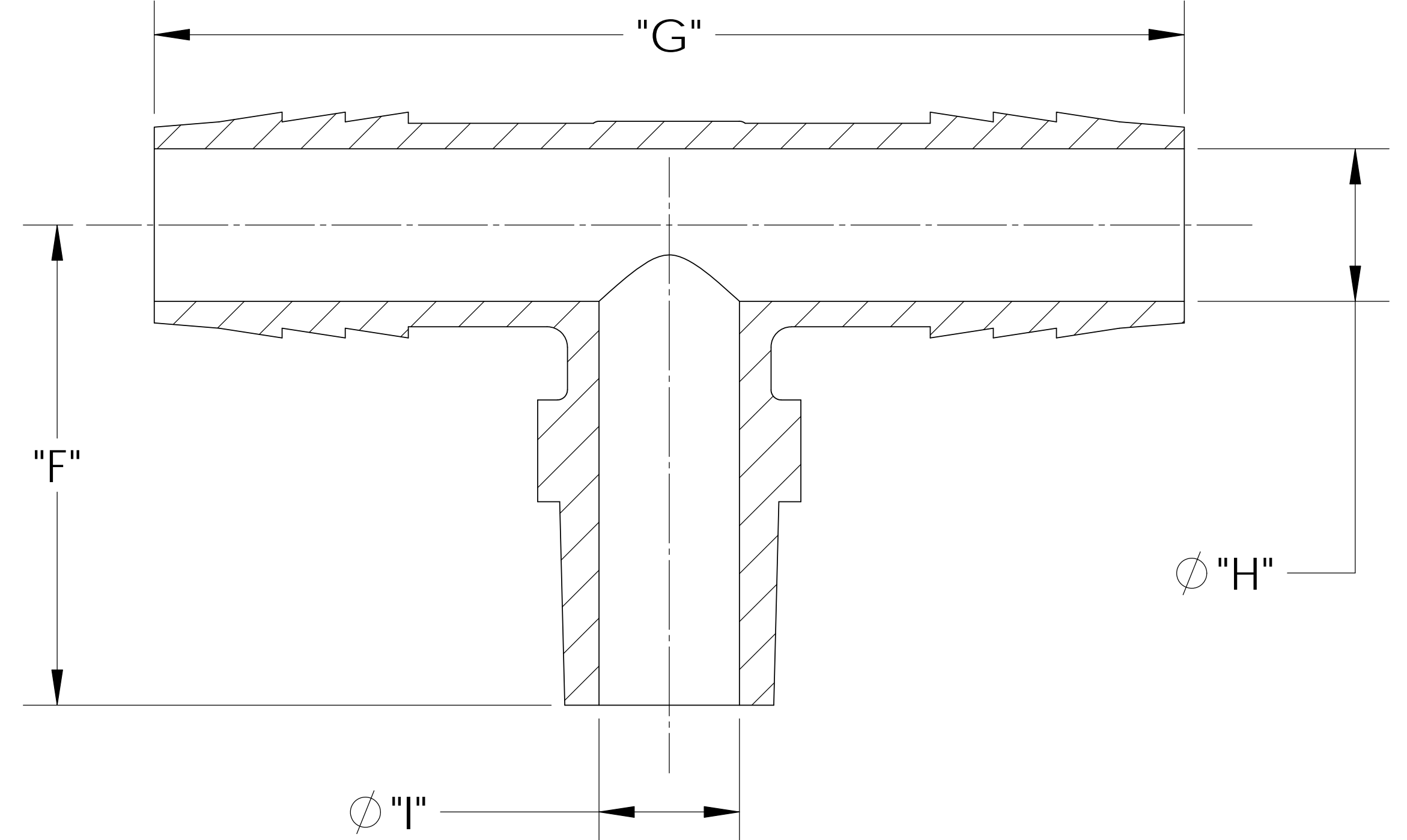
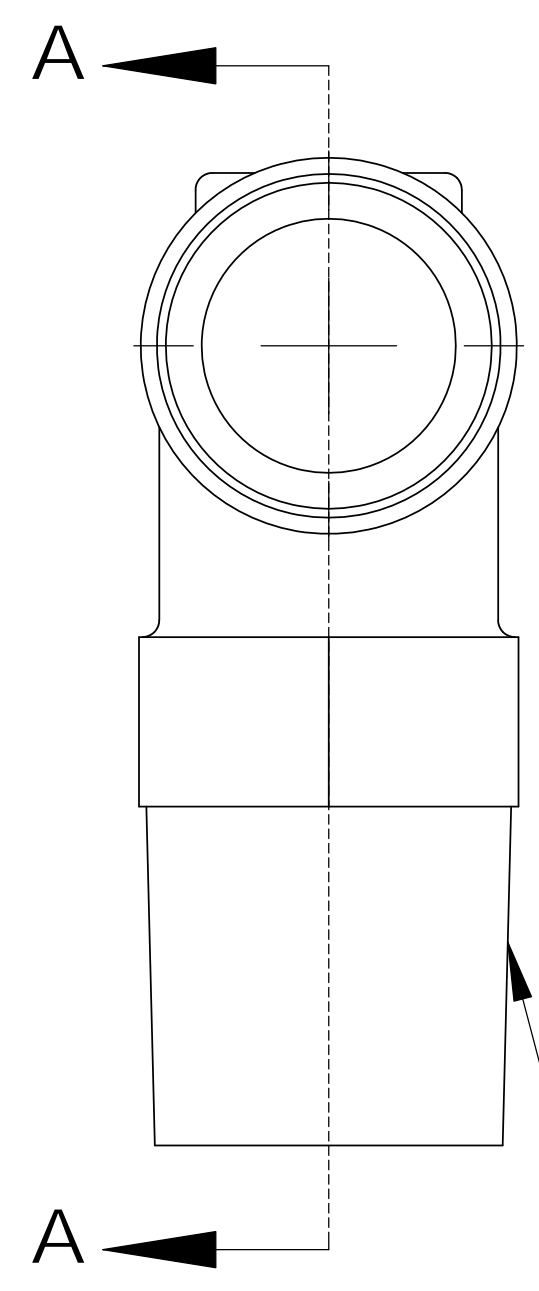
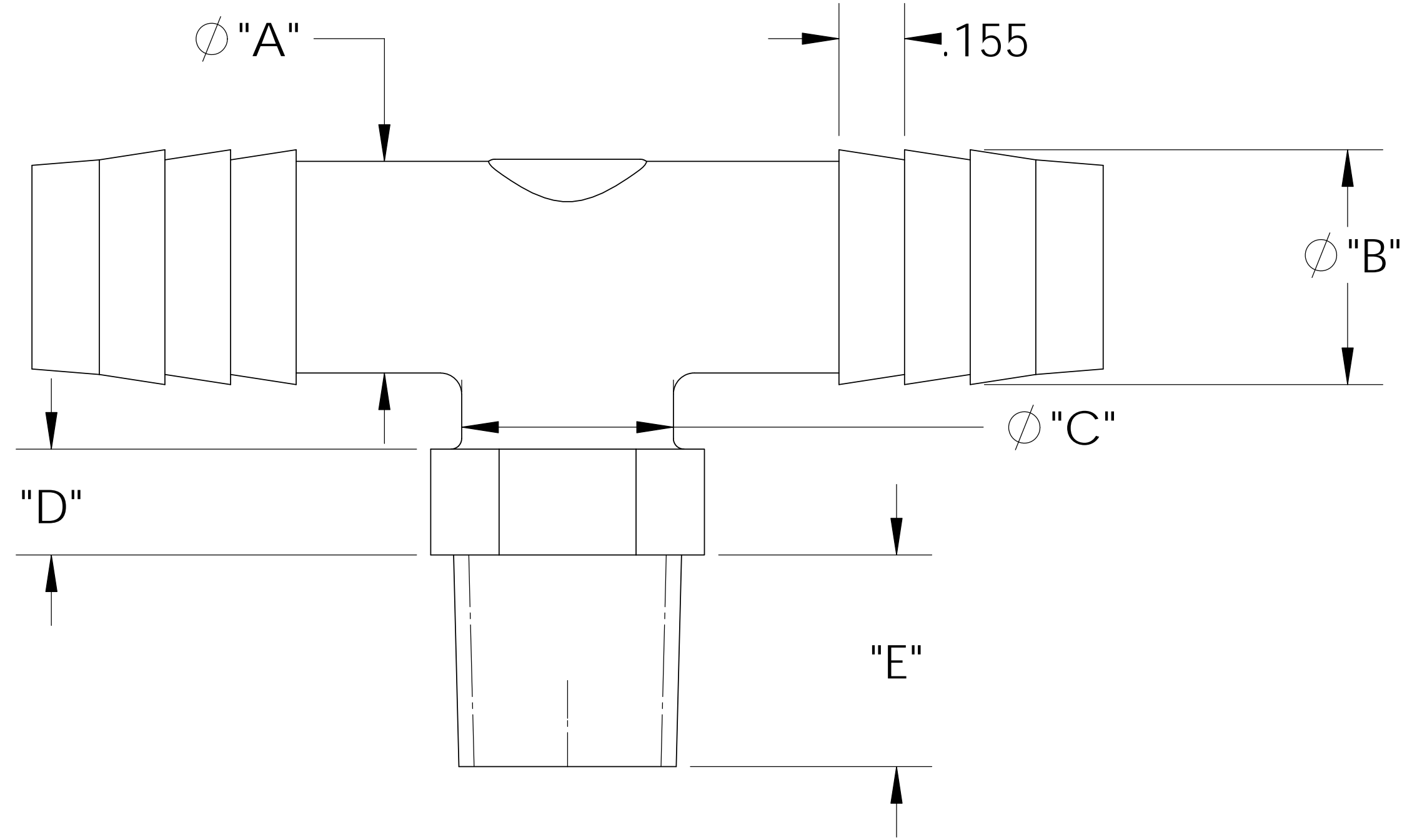
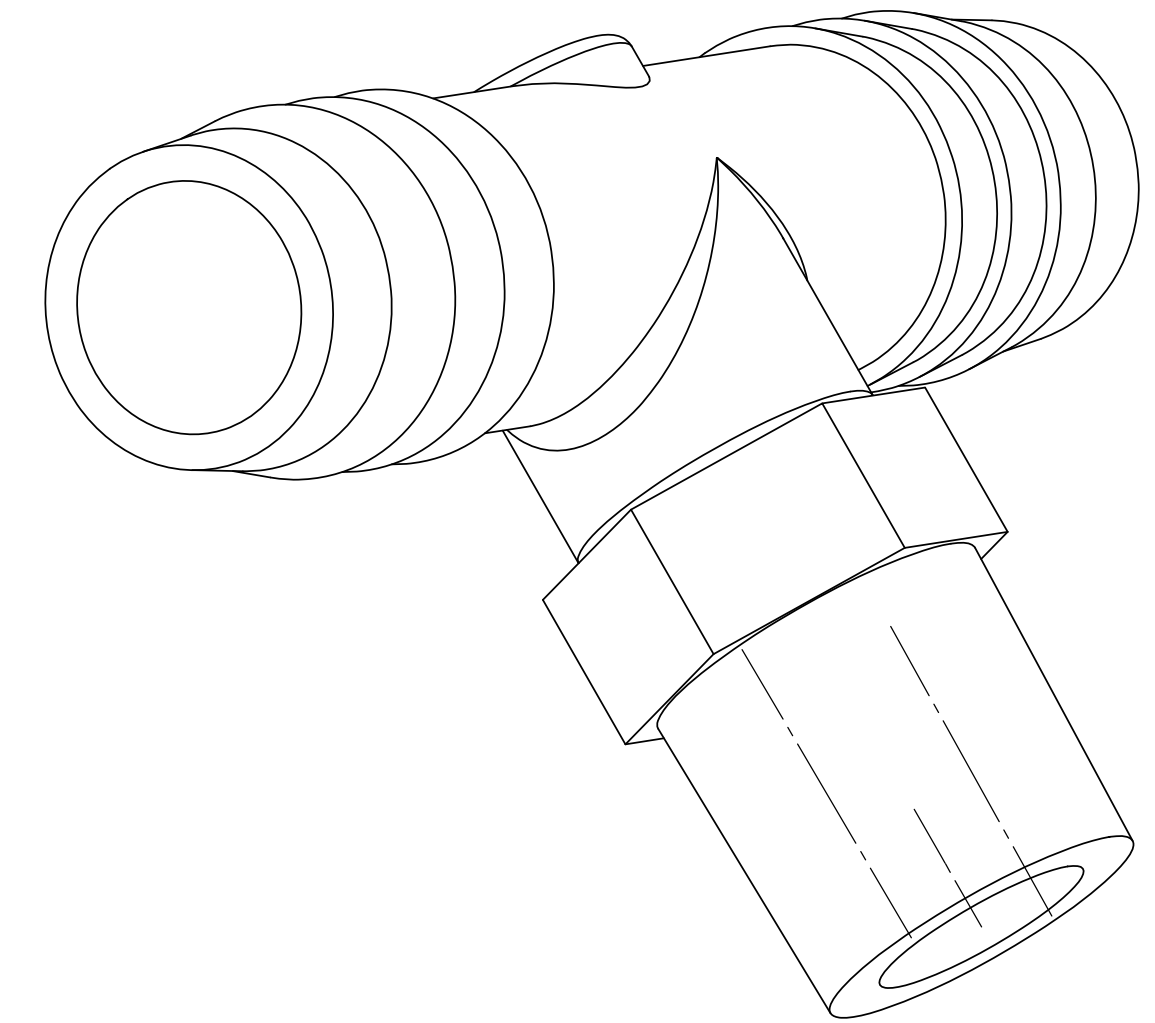


8 7 6 5 4 3 2 1



MALE 1/4"-18 NPT

SECTION A-A

CATALOG NO.	DESCRIPTION	MATERIAL	DIM "A"	DIM "B"	DIM "C"	DIM "D"	DIM "E"	DIM "F"	DIM "G"	DIM "H"	DIM "I"	DIM "J"
TT3488/PP	1/4" X 1/2" X 1/2" PP	POLYPROPYLENE	.490	.550	.490	.24	.49	1.16	2.50	.370	.335	.55
TT3488/P	1/4" X 1/2" X 1/2" P	POLYETHYLENE	.495	.550	.490	.24	.48	1.13	2.45	.360	.335	.54
SHOWN TT3488/N	1/4" X 1/2" X 1/2" N	NYLON	.500	.555	.500	.25	.50	1.18	2.53	.375	.345	.56

NOTES:

- 1) POLYPROPYLENE HAS COLOR OPTIONS:
 BLACK = TT3488/PPB
 NATURAL = TT3488/PPN

PROPRIETARY AND CONFIDENTIAL
 THE INFORMATION CONTAINED IN THIS DRAWING IS THE SOLE PROPERTY OF THOGUS PRODUCTS COMPANY. ANY REPRODUCTION IN PART OR AS A WHOLE WITHOUT THE WRITTEN PERMISSION OF THOGUS PRODUCTS COMPANY IS PROHIBITED.

REV	WRO#	DESCRIPTION
D	95.00132	CONVERTED TO 3D FORMAT
HISTORY		

UNLESS OTHERWISE SPECIFIED:
 DIMENSIONS ARE IN INCHES
 TOLERANCES:
 ANGULAR: $\pm 0.5^\circ$
 XX = ± 0.1
 X.XX = ± 0.05
 X.XXX = ± 0.015
 REMOVE ALL SHARP EDGES AND BURRS
 BLEND ALL RADII TO 0.01IN
 INTERPRET GEOMETRIC TOLERANCING PER: ANSI Y 14.5 1994
 MATERIAL: PP, P, N
 FINISH: NA
 THIRD ANGLE PROJECTION:

	NAME	DATE
DRAWN	JRM	05/25/11
CHECKED	KDJ	05/25/11
ENG APPR.		XX/XX/XX
MFG APPR.		XX/XX/XX
Q.A.		XX/XX/XX

Thogus You think it, we can make it...
 33490 PIN OAK, AVON LAKE, OH 44012

TITLE:
 1/4" NPT X 1/2" BARB X 1/2" BARB TEE

SIZE B	DWG. NO. TT3488	REV D
SCALE: 3:2	MASS:	SHEET 1 OF 1

8 7 6 5 4 3 2 1