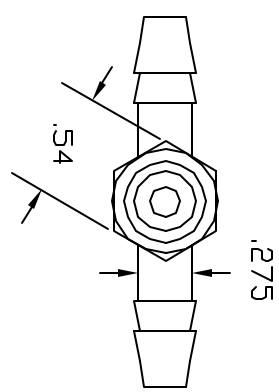
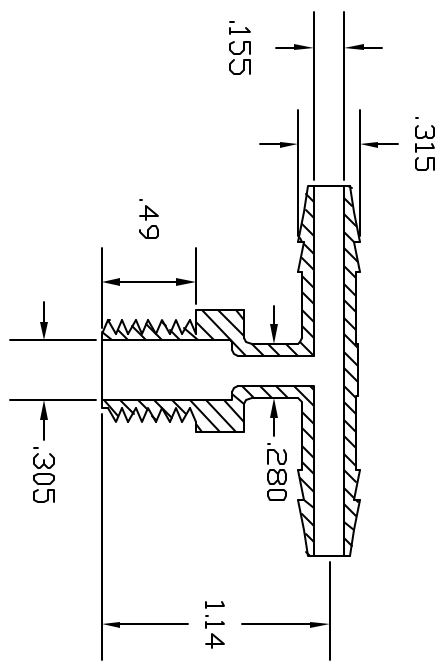
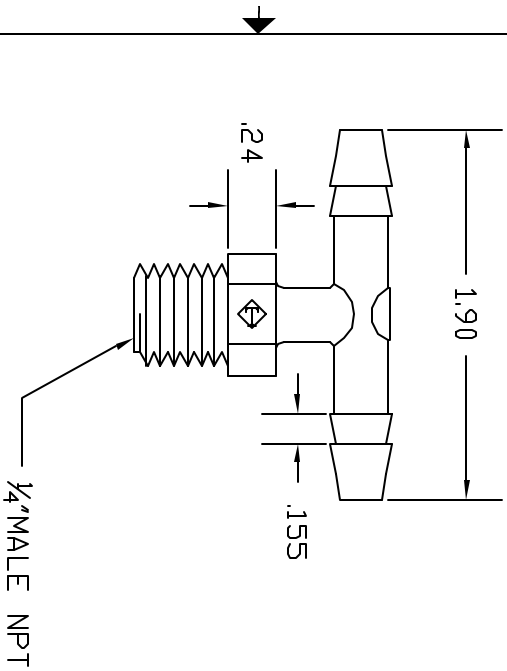


REVISIONS			
REV	DESCRIPTION	DATE	APPROVED
A	DRAWN AND RELEASED	4/98	4/98
B	MODIFY BARBS	12/02	12/02



COLOR: BLACK (PPB)
NATURAL (PPN)

CONTROLLED DOCUMENT
ONLY IF IN RED

UNLESS OTHERWISE SPECIFIED DIMENSIONS ARE IN INCHES TOLERANCES DECIMALS ANGULARS .XX +/- .05 .XXX +/- .015 DRAWN NM DATE 4/98		PART NAME 1/4NPT X 1/4 BARB X 1/4 BARB THREADED TEE	
THOUGS PRODUCTS 33597 PIN OAK PARKWAY AVON LAKE OHIO 44012		PART NUMBER 3444/PP	
MATERIAL POLYPROPYLENE		SCALE 1:1	REV B
DRAWING NUMBER 3444PP		SHEET 1	OF 1

THOUGS PRODUCTS IS AN EQUAL OPPORTUNITY COMPANY