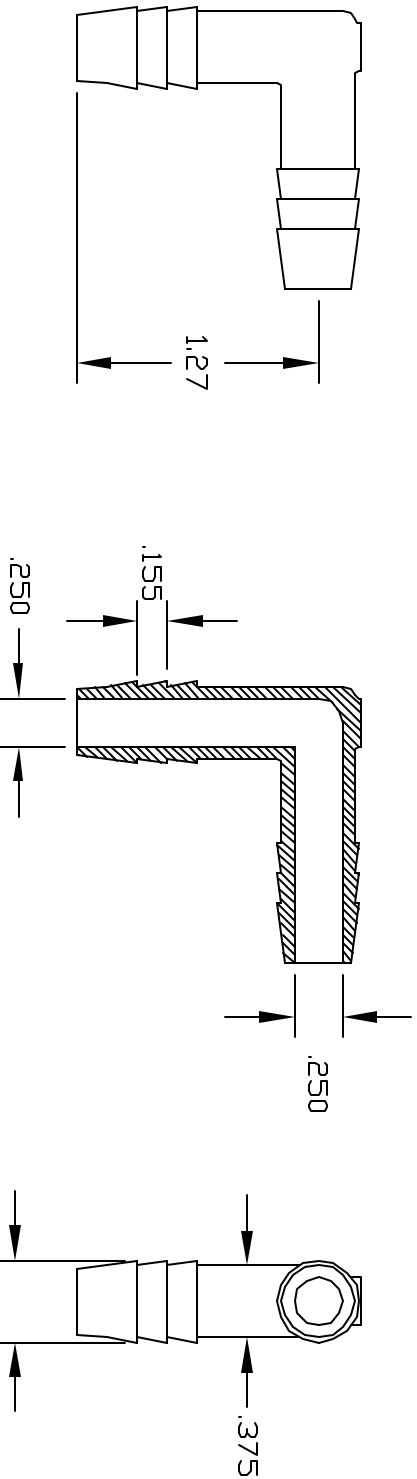


REVISIONS			
REV	DESCRIPTION	DATE	APPROVED
B	PART GEOMETRY CHANGED	3/99	3/99
C	RE-DIMENSIONED	02/00	BM
D	UPDATE DWG	9/07	9/07



CONTROLLED DOCUMENT  
ONLY IF IN RED

**CONFIDENTIAL**

THIS PRINT AND THE SPECIFICATIONS ARE THE PROPERTY OF THOGUS PRODUCTS COMPANY AND HAVE BEEN ISSUED WITH THE UNDERSTANDING THAT IT IS TO BE USED FOR THE MANUFACTURE OF PARTS FOR OTHERS AND WILL BE RETURNED UPON REQUEST.

UNLESS OTHERWISE SPECIFIED DIMENSIONS ARE IN INCHES		TOLERANCES	
XX	+/-.05	YY	+/-.05
XXX	+/-.015		
DRAWN	NM	DATE	12/98
DESIGNED	2066-TN	MATERIAL	NYLON
Part Name	3/8 BARB X 3/8 BARB ELBOW		
Part Number	TE2066-T/N		
THOGUS PRODUCTS		334490 PIN OAK PARKWAY AVON LAKE OHIO 44012	
REV	D	SHEET	1 of 1

NOT TO BE USED FOR OTHER THAN ORIGINAL PURPOSE