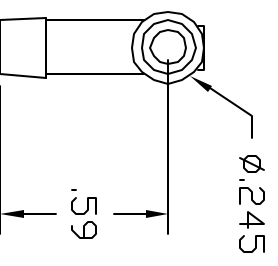
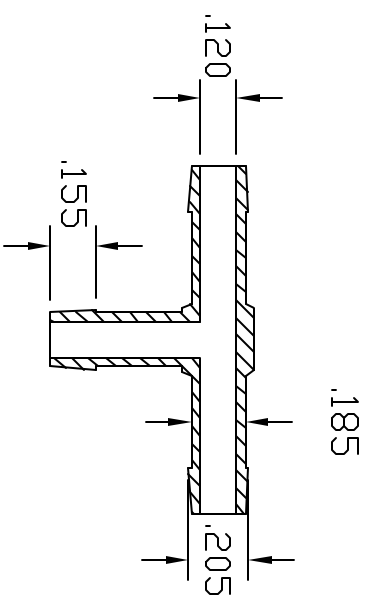
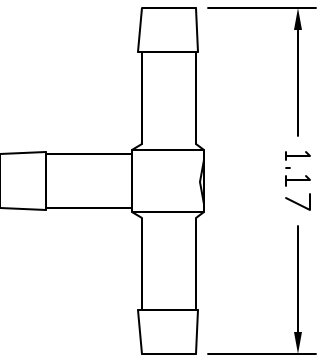
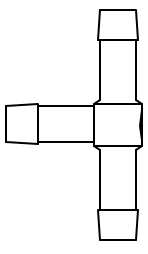


REVISIONS			
REV	DESCRIPTION	DATE	APPROVED
A	DRAWN AND RELEASED	2/98	2/98
B	UPDATE TOOLING	5/04	5/04
C	UPDATE DWG	9/07	9/07



ACTUAL SIZE



CONTROLLED DOCUMENT  
ONLY IF IN RED

UNLESS OTHERWISE SPECIFIED DIMENSIONS ARE IN INCHES		Part Name
DECIMALS .XX +/- .05	FRACTIONS XX +/- .015	3/16 BARB X 3/16 BARB X 3/16 BARB MINI TEE
ANGLES +/- .05		
DRAWN NM	DATE 2/98	<b>THOGUS</b> PRODUCTS
FILENAME 9187P	Part Number TT9187/P	33490 PIN DAK PARKWAY AVON LAKE OHIO 44012
MATERIAL POLYETHYLENE		REV C
	SHEET 1 of 1	