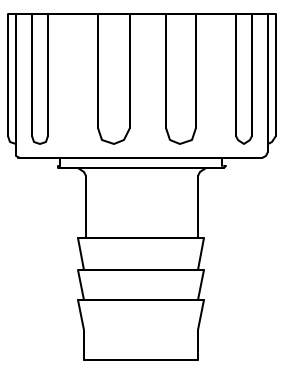
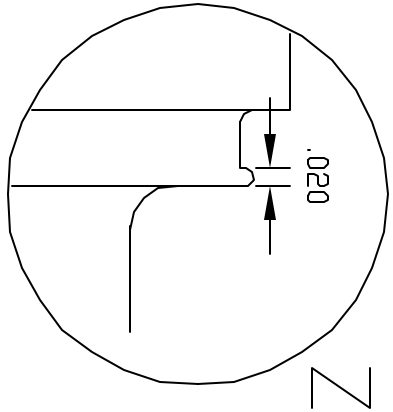
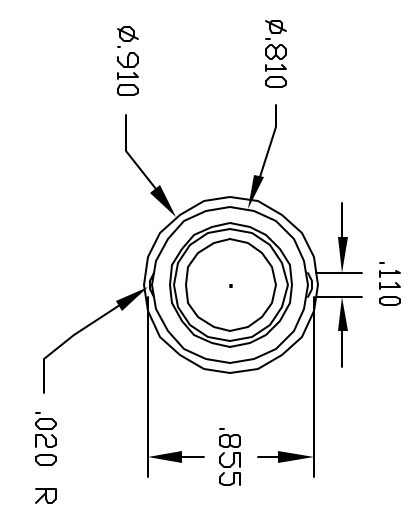
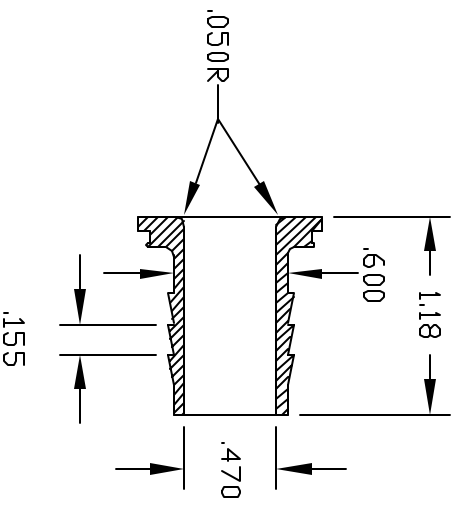
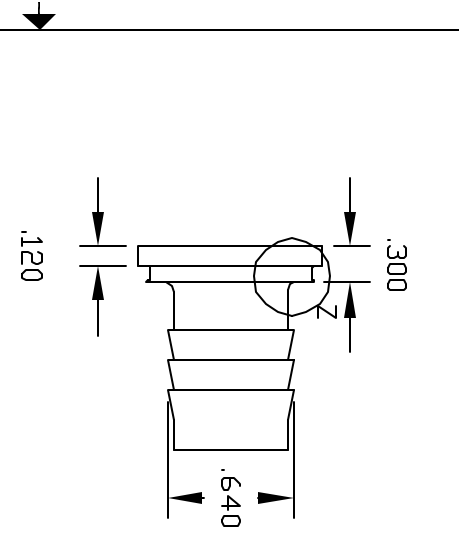


REVISIONS			
REV	DESCRIPTION	DATE	APPROVED
T2	.156 ADDED	4/97	4/97
A	PRODUCTION RELEASE	4/97	4/97
B	REDRAW & DIMENSION	02/18/00	BM
C	UPDATE DWG	9/07	9/07



TYPICAL APPLICATION

CONTROLLED DOCUMENT
ONLY IF IN RED

CONFIDENTIAL
THIS PRINT AND THE SPECIFICATIONS ARE THE PROPERTY OF THOGUS PRODUCTS COMPANY AND HAVE BEEN ISSUED WITH THE UNDERSTANDING THAT IT IS NOT TO BE REPRODUCED OR TRANSMITTED IN ANY FORM OR BY ANY MEANS, ELECTRONIC OR MECHANICAL, INCLUDING PHOTOCOPYING, RECORDING, OR BY ANY INFORMATION STORAGE AND RETRIEVAL SYSTEM, WITHOUT THE WRITTEN PERMISSION OF THOGUS PRODUCTS COMPANY. IT IS TO BE RETURNED UPON REQUEST.

UNLESS OTHERWISE SPECIFIED DIMENSIONS ARE IN INCHES	
DECIMALS	FRACTIONS
.XX	1/16
.XXX	1/32
XXX.X	1/8
XXX.XX	3/16
XXX.XXX	1/4
XXX.XXXX	5/16
XXX.XXXX	3/8
XXX.XXXX	1/2
XXX.XXXX	5/8
XXX.XXXX	3/4
XXX.XXXX	7/8
XXX.XXXX	1
XXX.XXXX	1 1/8
XXX.XXXX	1 1/4
XXX.XXXX	1 1/2
XXX.XXXX	1 3/4
XXX.XXXX	2
XXX.XXXX	2 1/2
XXX.XXXX	3
XXX.XXXX	3 1/2
XXX.XXXX	4
XXX.XXXX	4 1/2
XXX.XXXX	5
XXX.XXXX	5 1/2
XXX.XXXX	6
XXX.XXXX	6 1/2
XXX.XXXX	7
XXX.XXXX	7 1/2
XXX.XXXX	8
XXX.XXXX	8 1/2
XXX.XXXX	9
XXX.XXXX	9 1/2
XXX.XXXX	10
XXX.XXXX	10 1/2
XXX.XXXX	11
XXX.XXXX	11 1/2
XXX.XXXX	12
XXX.XXXX	12 1/2
XXX.XXXX	13
XXX.XXXX	13 1/2
XXX.XXXX	14
XXX.XXXX	14 1/2
XXX.XXXX	15
XXX.XXXX	15 1/2
XXX.XXXX	16
XXX.XXXX	16 1/2
XXX.XXXX	17
XXX.XXXX	17 1/2
XXX.XXXX	18
XXX.XXXX	18 1/2
XXX.XXXX	19
XXX.XXXX	19 1/2
XXX.XXXX	20
XXX.XXXX	20 1/2
XXX.XXXX	21
XXX.XXXX	21 1/2
XXX.XXXX	22
XXX.XXXX	22 1/2
XXX.XXXX	23
XXX.XXXX	23 1/2
XXX.XXXX	24
XXX.XXXX	24 1/2
XXX.XXXX	25
XXX.XXXX	25 1/2
XXX.XXXX	26
XXX.XXXX	26 1/2
XXX.XXXX	27
XXX.XXXX	27 1/2
XXX.XXXX	28
XXX.XXXX	28 1/2
XXX.XXXX	29
XXX.XXXX	29 1/2
XXX.XXXX	30
XXX.XXXX	30 1/2
XXX.XXXX	31
XXX.XXXX	31 1/2
XXX.XXXX	32
XXX.XXXX	32 1/2
XXX.XXXX	33
XXX.XXXX	33 1/2
XXX.XXXX	34
XXX.XXXX	34 1/2
XXX.XXXX	35
XXX.XXXX	35 1/2
XXX.XXXX	36
XXX.XXXX	36 1/2
XXX.XXXX	37
XXX.XXXX	37 1/2
XXX.XXXX	38
XXX.XXXX	38 1/2
XXX.XXXX	39
XXX.XXXX	39 1/2
XXX.XXXX	40
XXX.XXXX	40 1/2
XXX.XXXX	41
XXX.XXXX	41 1/2
XXX.XXXX	42
XXX.XXXX	42 1/2
XXX.XXXX	43
XXX.XXXX	43 1/2
XXX.XXXX	44
XXX.XXXX	44 1/2
XXX.XXXX	45
XXX.XXXX	45 1/2
XXX.XXXX	46
XXX.XXXX	46 1/2
XXX.XXXX	47
XXX.XXXX	47 1/2
XXX.XXXX	48
XXX.XXXX	48 1/2
XXX.XXXX	49
XXX.XXXX	49 1/2
XXX.XXXX	50
XXX.XXXX	50 1/2
XXX.XXXX	51
XXX.XXXX	51 1/2
XXX.XXXX	52
XXX.XXXX	52 1/2
XXX.XXXX	53
XXX.XXXX	53 1/2
XXX.XXXX	54
XXX.XXXX	54 1/2
XXX.XXXX	55
XXX.XXXX	55 1/2
XXX.XXXX	56
XXX.XXXX	56 1/2
XXX.XXXX	57
XXX.XXXX	57 1/2
XXX.XXXX	58
XXX.XXXX	58 1/2
XXX.XXXX	59
XXX.XXXX	59 1/2
XXX.XXXX	60
XXX.XXXX	60 1/2
XXX.XXXX	61
XXX.XXXX	61 1/2
XXX.XXXX	62
XXX.XXXX	62 1/2
XXX.XXXX	63
XXX.XXXX	63 1/2
XXX.XXXX	64
XXX.XXXX	64 1/2
XXX.XXXX	65
XXX.XXXX	65 1/2
XXX.XXXX	66
XXX.XXXX	66 1/2
XXX.XXXX	67
XXX.XXXX	67 1/2
XXX.XXXX	68
XXX.XXXX	68 1/2
XXX.XXXX	69
XXX.XXXX	69 1/2
XXX.XXXX	70
XXX.XXXX	70 1/2
XXX.XXXX	71
XXX.XXXX	71 1/2
XXX.XXXX	72
XXX.XXXX	72 1/2
XXX.XXXX	73
XXX.XXXX	73 1/2
XXX.XXXX	74
XXX.XXXX	74 1/2
XXX.XXXX	75
XXX.XXXX	75 1/2
XXX.XXXX	76
XXX.XXXX	76 1/2
XXX.XXXX	77
XXX.XXXX	77 1/2
XXX.XXXX	78
XXX.XXXX	78 1/2
XXX.XXXX	79
XXX.XXXX	79 1/2
XXX.XXXX	80
XXX.XXXX	80 1/2
XXX.XXXX	81
XXX.XXXX	81 1/2
XXX.XXXX	82
XXX.XXXX	82 1/2
XXX.XXXX	83
XXX.XXXX	83 1/2
XXX.XXXX	84
XXX.XXXX	84 1/2
XXX.XXXX	85
XXX.XXXX	85 1/2
XXX.XXXX	86
XXX.XXXX	86 1/2
XXX.XXXX	87
XXX.XXXX	87 1/2
XXX.XXXX	88
XXX.XXXX	88 1/2
XXX.XXXX	89
XXX.XXXX	89 1/2
XXX.XXXX	90
XXX.XXXX	90 1/2
XXX.XXXX	91
XXX.XXXX	91 1/2
XXX.XXXX	92
XXX.XXXX	92 1/2
XXX.XXXX	93
XXX.XXXX	93 1/2
XXX.XXXX	94
XXX.XXXX	94 1/2
XXX.XXXX	95
XXX.XXXX	95 1/2
XXX.XXXX	96
XXX.XXXX	96 1/2
XXX.XXXX	97
XXX.XXXX	97 1/2
XXX.XXXX	98
XXX.XXXX	98 1/2
XXX.XXXX	99
XXX.XXXX	99 1/2
XXX.XXXX	100

Part Name	5/8 BARB GARDEN HOSE ADAPTER INSERT	
Part Number	THOGUS PRODUCTS 33490 PIN DAK PARKWAY AYDON LAKE OHIO 44012	
Material	GHAI10N	NYLON
Drawn	NM	DATE 4/97
Redrawn	GHAI10N	
Material	NYLON	
Part Number	GHAI10/N	
Sheet	1	of 1
REV		