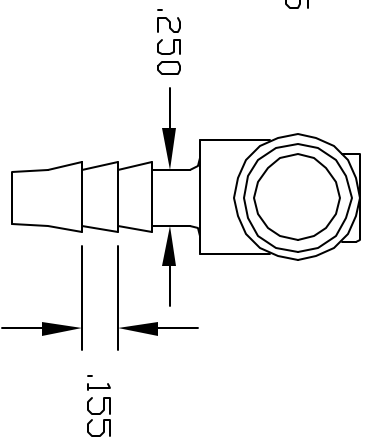
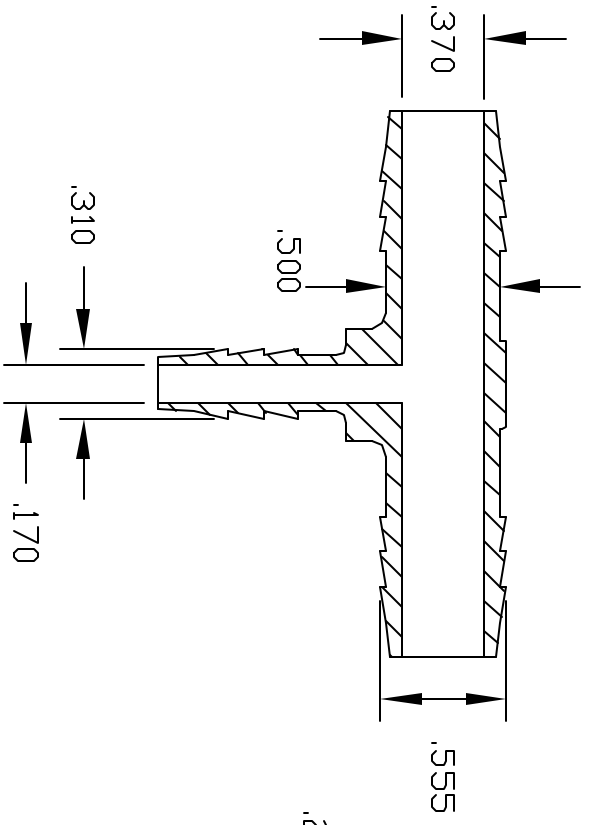
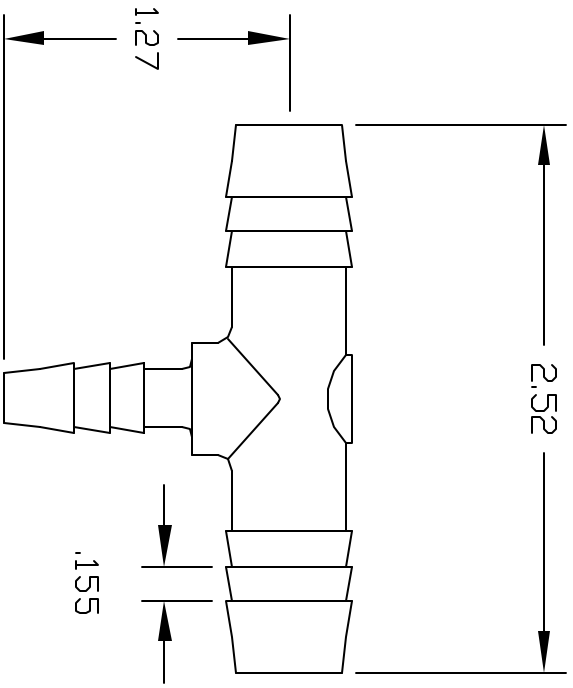


REV	DESCRIPTION	DATE	APPROVED
A	REDRAWN & RELEASED	3/98	3/98
B	LEAD BARB ADDED	9/99	9/99
C	REDRAWN & DIM.	12/28/99	12/99
D	MODIFY DROP BARB	3/07	3/07
E	UPDATE DWG	9/07	9/07



CONTROLLED DOCUMENT
ONLY IF IN RED

CONFIDENTIAL
THIS PRINT AND THE SPECIFICATIONS ARE THE PROPERTY OF THOGUS PRODUCTS COMPANY AND HAVE BEEN ISSUED WITH THE UNDERSTANDING THAT IT WILL NOT BE REPRODUCED, REVEALED TO OR USED FOR THE MANUFACTURE FOR OTHERS AND WILL BE RETURNED UPON REQUEST.

UNLESS OTHERWISE SPECIFIED DIMENSIONS ARE IN INCHES		PART NAME	
DECIMALS XX	TOLERANCES ANGULAR +/- .05	1/4 BARB X 1/2 BARB X 1/2 BARB	TEE
XXX +/- .015			
DRAWN	DATE	THOGUS PRODUCTS 33490 PIN OAK PARKWAY AVON LAKE OHIO 44012	
BM	12/99	PART NUMBER	REV
MATERIAL		TT9488/N	E
NYLON			
		SHEET 1	OF 1