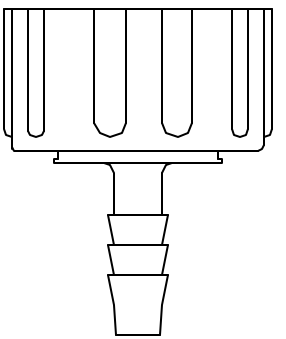
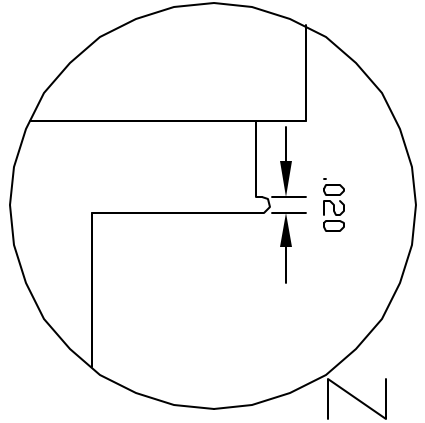
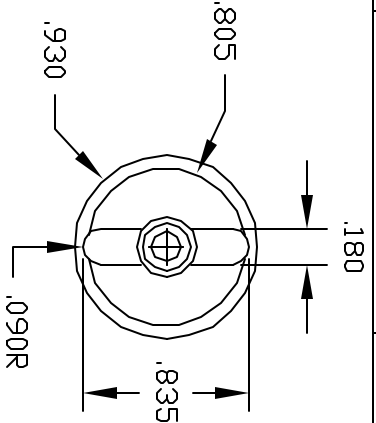
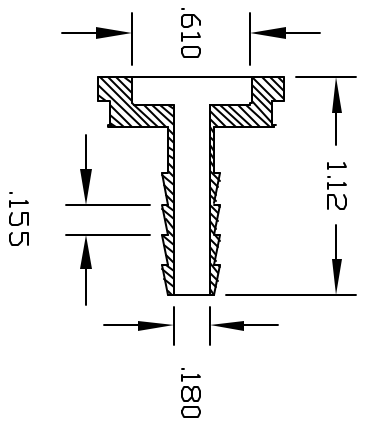
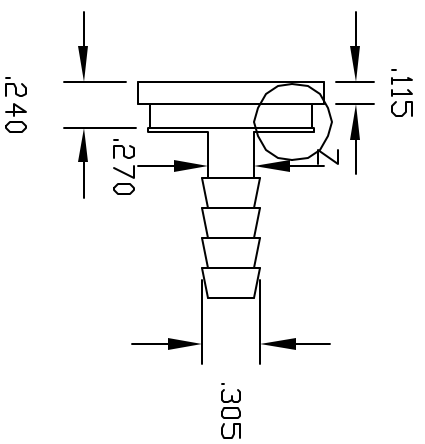


REVISIONS			
REV	DESCRIPTION	DATE	APPROVED
A	DRAWING RELEASE	7/97	7/97
B	REVISE BARB	10/01	10/01



TYPICAL APPLICATION

TO MATE WITH THOGUS PRODUCTS PART NUMBER GHN-12/N, FEMALE GARDEN HOSE THREAD (3/4" - 11.5)

CONFIDENTIAL
THIS PRINT AND THE SPECIFICATIONS ARE THE PROPERTY OF THOGUS PRODUCTS COMPANY AND HAVE BEEN ISSUED WITH THE UNDERSTANDING THAT IT IS TO BE KEPT CONFIDENTIAL AND NOT REPRODUCED OR USED FOR OTHER MANUFACTURE FOR OTHERS AND WILL BE RETURNED UPON REQUEST.

UNLESS OTHERWISE SPECIFIED DIMENSIONS ARE IN INCHES DECIMAL TOLERANCES UNLESS SHOWN OTHERWISE .00X +/- .015 .00X +/- .015		Part Name: 1/4 BARB GARDEN HOSE ADAPTER INSERTS	
DRAWN NM	DATE 7/97	THOGUS PRODUCTS 33490 PIN OAK PARKWAY AVON LAKE OHIO 44012	
MATERIAL POLYPROPYLENE BLACK	Part Number: GHA4/PPB	SCALE 1/1	REV B
SHEET 1 of 1		REV B	

THIS DRAWING IS THE PROPERTY OF THOGUS PRODUCTS COMPANY. IT IS TO BE KEPT CONFIDENTIAL AND NOT REPRODUCED OR USED FOR OTHER MANUFACTURE FOR OTHERS AND WILL BE RETURNED UPON REQUEST.