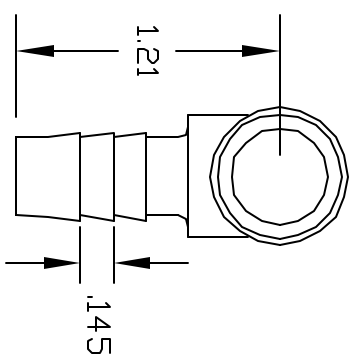
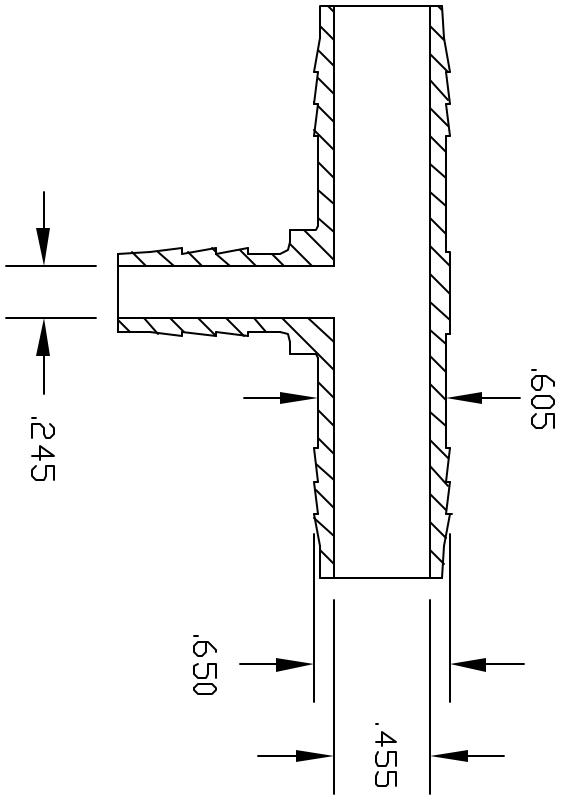
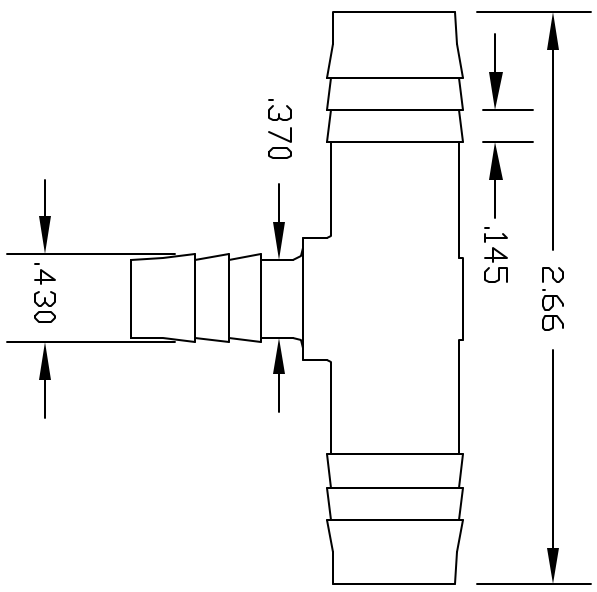


REV	DESCRIPTION	DATE	APPROVED
A	REDRAWN & RELEASED	5/98	5/98
B	UPDATE DRAWING	6/00	6/00
C	MODIFY BARBS	3/07	3/07
D	UPDATE DWG	9/07	9/07



CONTROLLED DOCUMENT
ONLY IF IN RED

DISCLAIMER
THIS PRINT AND THE SPECIFICATIONS ARE THE PROPERTY OF THOGUS BLENDED FIBER AND SHALL BE RETURNED TO THE MANUFACTURER FOR OTHERS AND WILL BE RETURNED UPON REQUEST.

UNLESS OTHERWISE SPECIFIED DIMENSIONS ARE IN INCHES		TOLERANCES	
DECIMALS		.005	
FRACTIONS		1/32	
ANGLES		±.05	
DRAWN	DATE	PART NAME	
BM	6/00	3/8 BARB X 5/8 BARB X 5/8 BARB TEE	
MATERIAL	THOGUS	PART NUMBER	
POLYETHYLENE	961010P	TT961010/P	
SCALE	1:1	SHEET 1 OF 1	
THOGUS PRODUCTS		33490 PIN OAK PARKWAY	
AVON LAKE OHIO		44012	
REV		D	