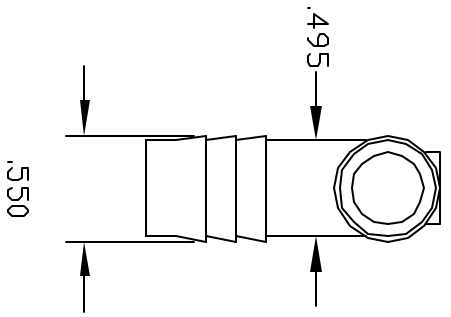
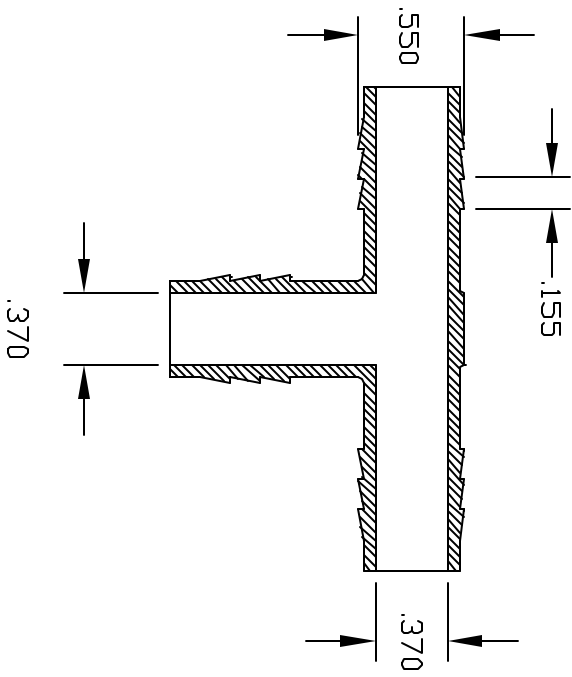
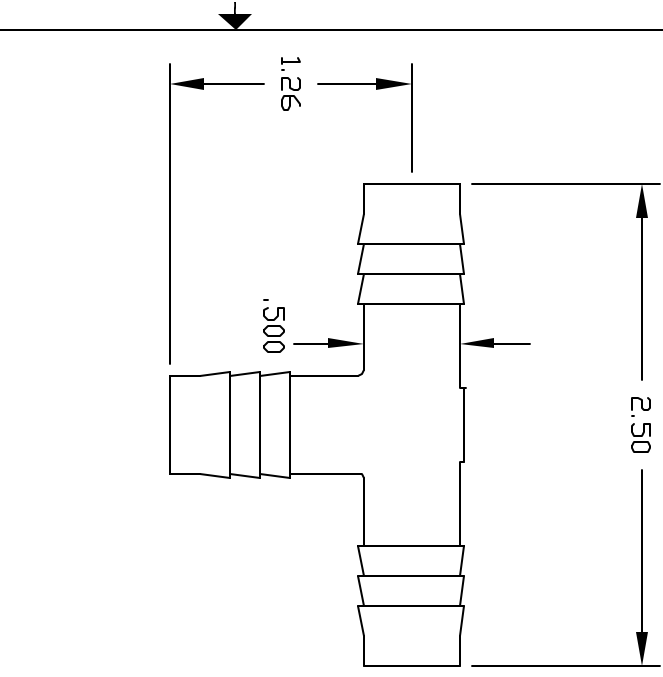


REV	DESCRIPTION	DATE	APPROVED
A	REDRAWN & RELEASED	2/98	2/98
B	.375 GATE PAD WAS .187	3/98	3/98
C	UPDATE DWG	9/07	9/07



COLOR: BLACK (PPB)

NATURAL (PPN)

CONTROLLED DOCUMENT
ONLY IF IN RED

CONFIDENTIAL
THIS PRINT AND THE SPECIFICATIONS ARE THE PROPERTY OF THOGUS PRODUCTS COMPANY AND HAVE BEEN ISSUED WITH THE UNDERSTANDING THAT ALL INFORMATION CONTAINED HEREIN IS TO BE KEPT STRICTLY CONFIDENTIAL AND WILL BE RETURNED UPON REQUEST.

UNLESS OTHERWISE SPECIFIED DIMENSIONS ARE IN INCHES		TOLERANCES	
FEEDBACK	XX +/- .05	DATE	8/98
DRAWN	NM	MATERIAL	POLYPROPYLENE
Part Name 1/2 BARB X 1/2 BARB X 1/2 BARB TEE		Part Number	TT98888/PP
THOGUS PRODUCTS 33490 PIN DAK PARKWAY AVON LAKE OHIO 44012		SHEET	1 of 1
REV		C	