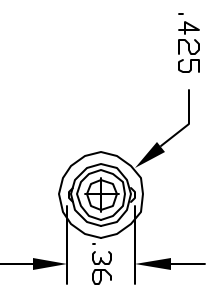
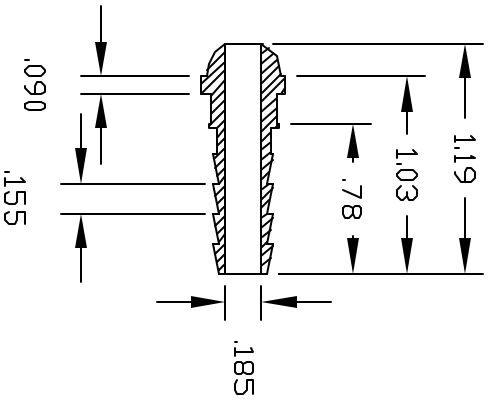
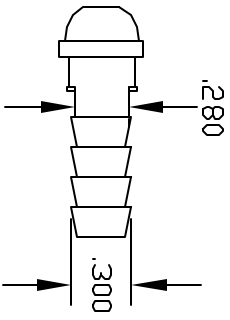
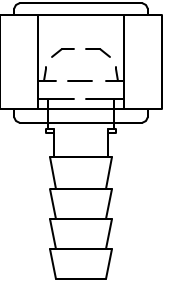


REVISIONS			
REV	DESCRIPTION	DATE	APPROVED
A	REDRAWN & RELEASED	7/97	7/97
B	UPDATE DWG	9/07	9/07



TO MATE WITH THOGUS PRODUCTS
PART NUMBER SN-4, 1/4" NPT FEMALE NUT



CONTROLLED DOCUMENT
ONLY IF IN RED

CONFIDENTIAL
THIS PRINT AND THE SPECIFICATIONS ARE THE PROPERTY OF THOGUS PRODUCTS COMPANY AND HAVE BEEN LENT WITH THE UNDERSTANDING THAT IT IS TO BE KEPT FOR THE USE OF THE MANUFACTURER FOR OTHERS AND WILL BE RETURNED UPON REQUEST.

UNLESS OTHERWISE SPECIFIED DIMENSIONS ARE IN INCHES		Part Name:	
DECIMAL FRACTIONS	±.015	1/4 BARB SWIVEL NUT ADAPTER INSERT	
XX +/- .05	YY .05		
XXX +/- .015	ZZ .015		
DRAWN	DATE	Part Number	REV
NM	7/97	SNA4/PPB	B
MATERIAL	FINISH		
POLYPROPYLENE BLACK	SNAPPB		
THOGUS PRODUCTS 33490 PIN DAK PARKWAY AVON LAKE OHIO 44012		SHEET 1	OF 1