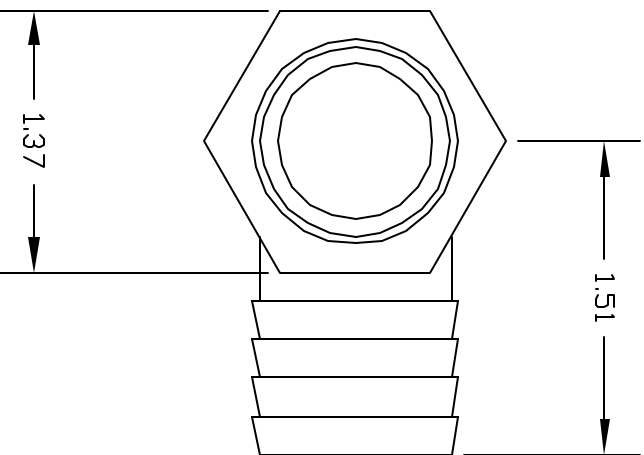
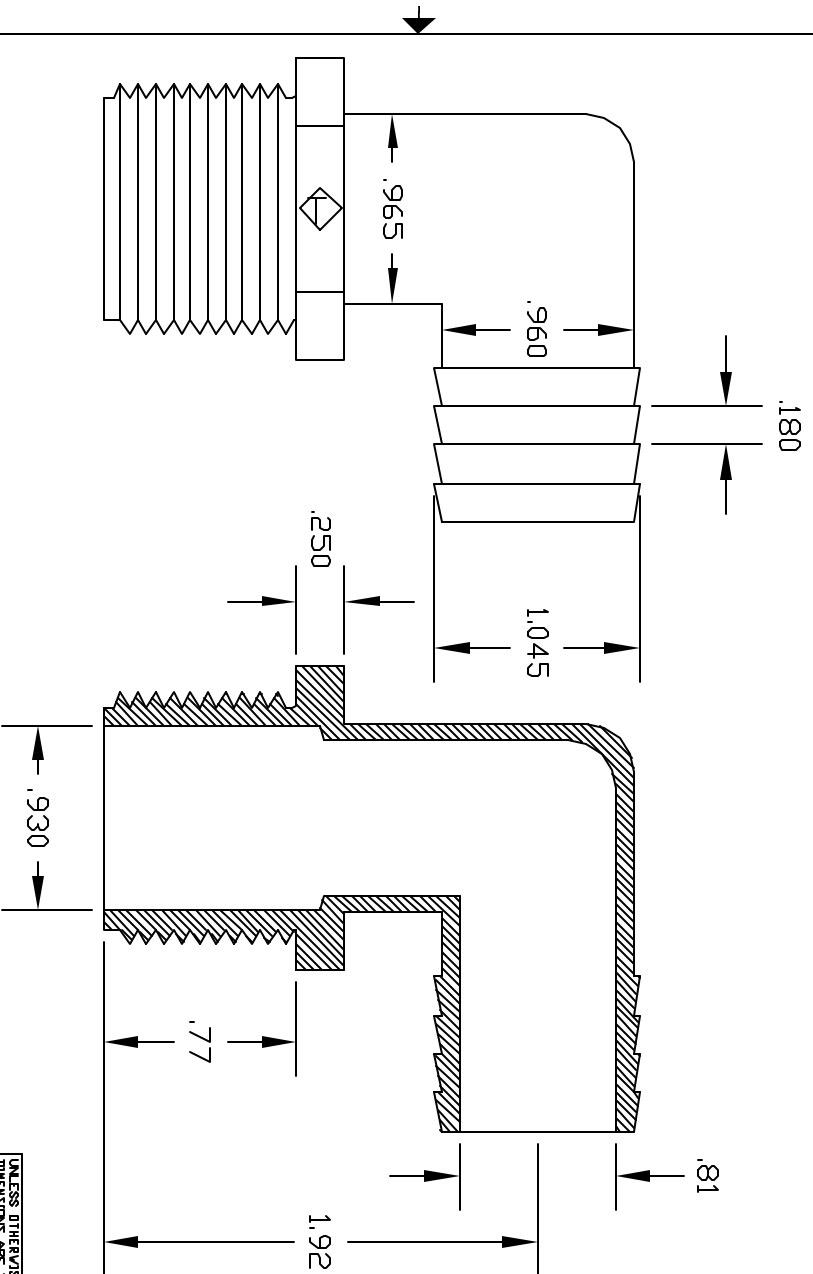


REVISIONS			
REV	DESCRIPTION	DATE	APPROVED
A	REDRAWN & RELEASED	5/98	5/98
B	GATE PAD ADDED	9/98	9/98



CONTROLLED DOCUMENT
ONLY IF IN RED

CONFIDENTIAL
THIS PRINT AND THE SPECIFICATIONS ARE THE PROPERTY OF THOGUS PRODUCTS COMPANY AND HAVE BEEN ISSUED WITH THE UNDERSTANDING THAT REPRODUCTION OF THIS PRINT OR THE INFORMATION CONTAINED HEREIN FOR OTHERS AND WILL BE RETURNED UPON REQUEST.

UNLESS OTHERWISE SPECIFIED
DIMENSIONS ARE IN INCHES
DECIMAL TOLERANCES UNLESS
SPECIFIED ARE:
XX +/- .05
XXX +/- .015
DRAWN NM
DATE 201616P
MATERIAL POLYETHYLENE

Part Name: INPT X 1 BARB ELBDW
Part Number: TE201616/P
Scale: 1/1
SHEET 1 of 1
REV B

THOGUS PRODUCTS
33490 PIN DAK PARKWAY
AVON LAKE OHIO 44012